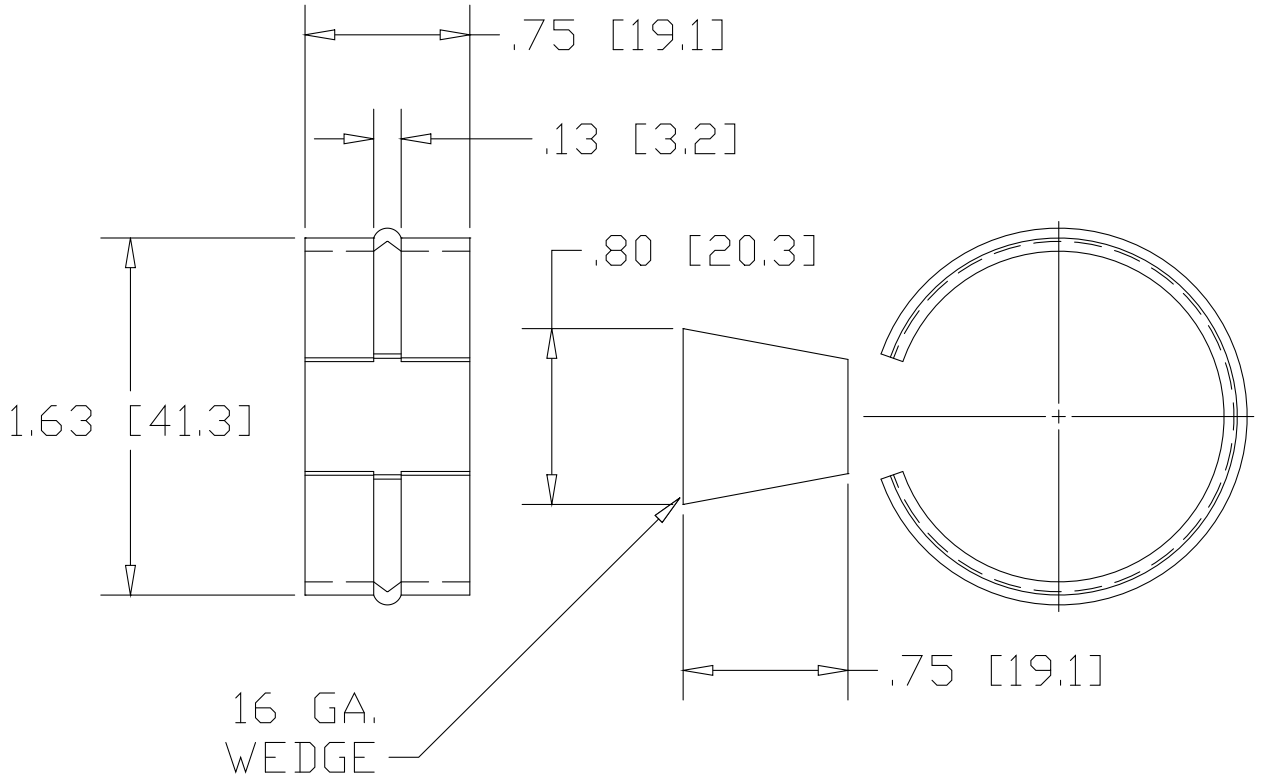
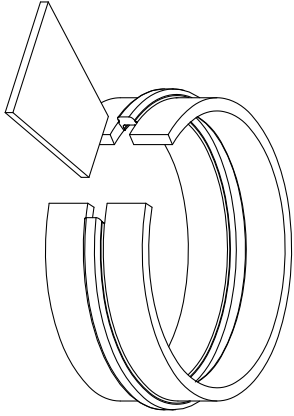



REV
SH
1033-L
DWG NO

REVISIONS			
REV	DESCRIPTION	DATE	APPROVED



INCHES [MILLIMETRES]

PART NAME				1-1/2 SCH10 PIPE WEDGE-LOCK WELDING CONNECTOR			
MATERIAL				16 GA. (.063) HRP&D STEEL ASTM A569			
DATE		10/10/01				R & B WAGNER, INC.	
DRAWN BY		JAH					
FINISH		MILL		SIZE	WEIGHT	PART NUMBER	REV
				A	.05 LBS	1033-L	