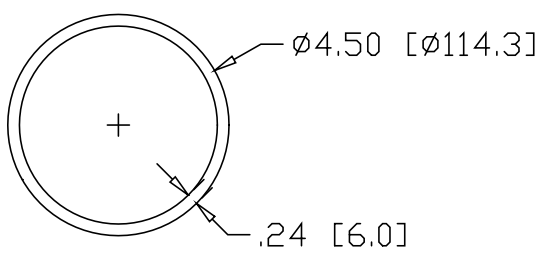
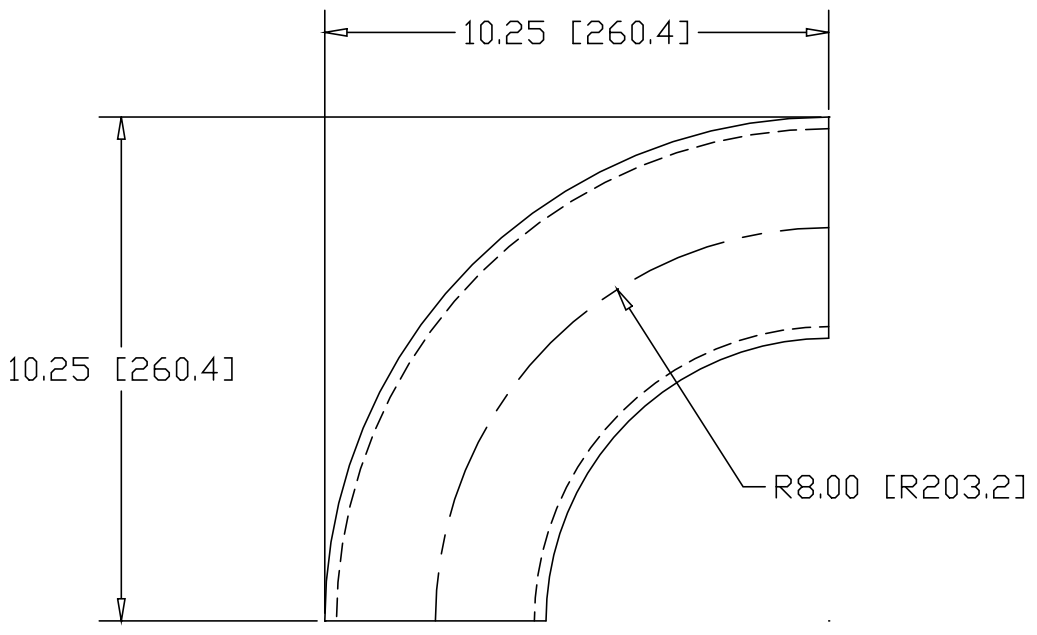



REV
SH
9640
DWG NO

REVISIONS			
REV	DESCRIPTION	DATE	APPROVED



INCHES MILLIMETERS

ALTERNATE MATERIAL	PART NUMBER
4" SCH 40 6063 ALUMINUM PIPE	9643

PART NAME		4" SCH 40 8" CLR 90° BEND					
MATERIAL		4" SCH 40 STEEL PIPE A53					
DATE	9-03-03	 THE WAGNER COMPANIES R & B WAGNER, INC. AND J. G. BRAUN CO.					
DRAWN BY	RJF						
FINISH	MILL						
SIZE	A	WEIGHT	11.30 LBS	PART NUMBER	9640	REV	