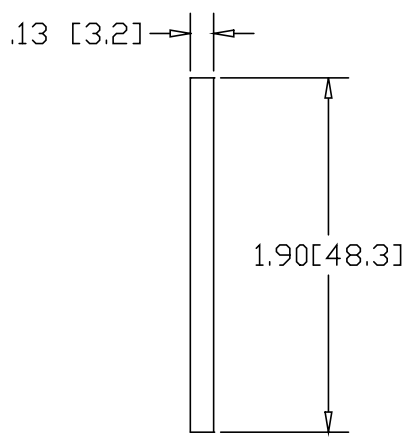
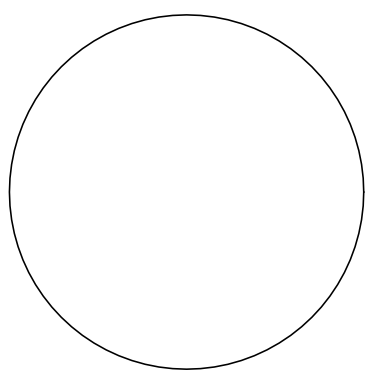
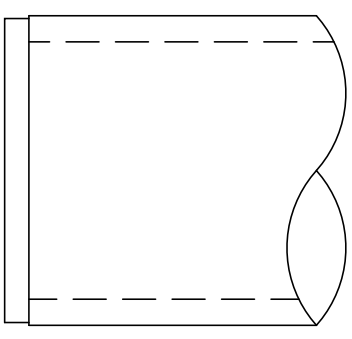
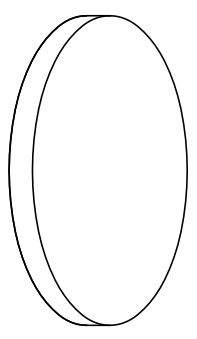


REV
SH
DWG NO
D075

REVISIONS			
REV	DESCRIPTION	DATE	APPROVED



INCHES [MILLIMETERS]

ALTERNATE MATERIAL	PART NUMBER
.125 (3003) ALUMINUM ASTM B209	D076
10 GA. (304) STAINLESS STEEL ASTM A240	D077
.125 (260) BRASS ASTM B19,B36	D078

PART NAME				1-1/2" PIPE SIZE TYPE-D WELD-ON DISK	
MATERIAL				10 GA. HRP&D STEEL ASTM A569	
DATE	10/11/96		THE WAGNER COMPANIES R & B WAGNER, INC. AND J. G. BRAUN CO.		
DRAWN BY	RJF				
FINISH	MILL	SIZE	WEIGHT	PART NUMBER	REV
		A	.09 LBS	D075	