

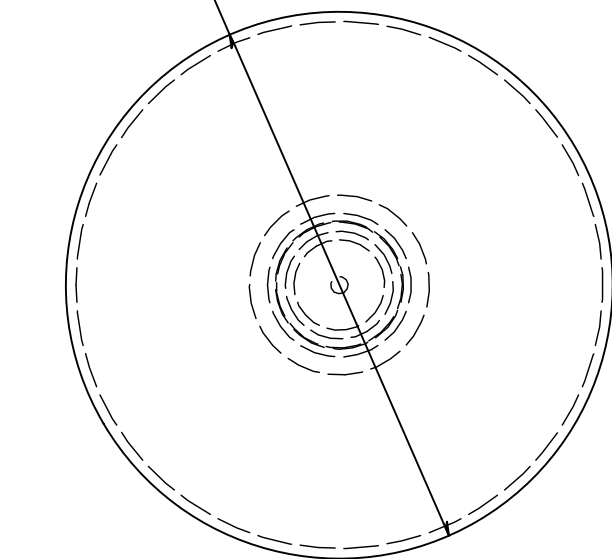
2



1

PARTS LIST

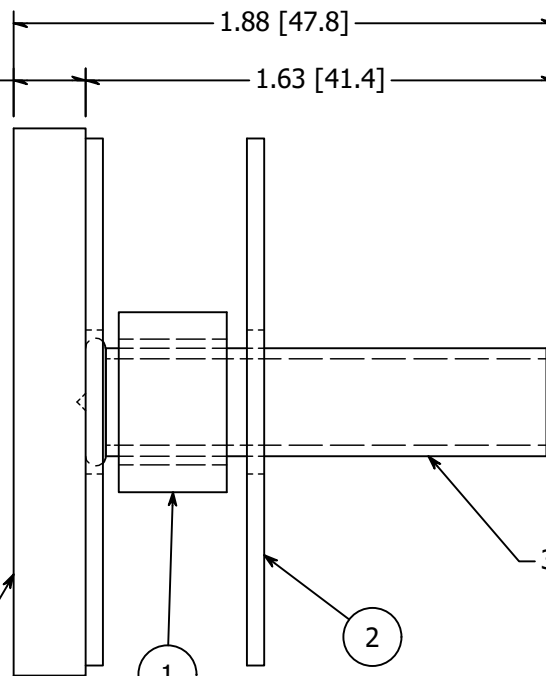
ITEM	QTY	PART NUMBER	DESCRIPTION
1	1	GB4381G	SPACER NYLON .63 OD X .095W X .375 LG FOR GLASS MT BRACKET
2	2	GB4387F	Gasket, Plastic, 1.83 Inch With 1/2 Inch Center Hole, For Glass Mount, Bracket-Black
3	1	GB4387HS.75	Backing Disk, Stainless Steel, 1.90 Inch Diameter, 1/4 Inch Thick With 3/8 Inch Stud, For 1/2 OR 3/4 Inch Thick Glass Bracket Backing

 $\varnothing 1.90$ [$\varnothing 48.3$]


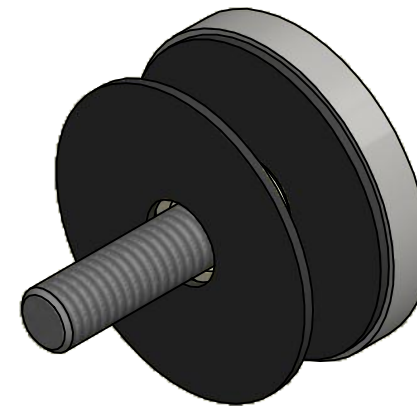
0.25 [6.4]

1.88 [47.8]

1.63 [41.4]



3/8-16 UNC - 2A



REVISION HISTORY

REV	DESCRIPTION	DATE
1	TOL ON FLASH HT WAS .06	03/04/10
2	TOL ON FLASH HT WAS .13	08/25/10
3	TOL ON STUD WAS +.12/-0	07/06/17
4	CHANGE STUD TO SWD3N3816-0163	2/10/2021

TOLERANCE

UNLESS OTHERWISE NOTED, TOLERANCES TO CONFORM TO ES.03.011

 MATERIAL:
316 Stainless
FINISH:
#4WEIGHT:
N/A

DESCRIPTION: HANDRAIL BRACKET GLASS MOUNT ADAPTER ASSY, SS, 1.90 DIA, FOR 1/2 GLASS

DATE: 3/9/2021

DRAWN BY: D.Charlier

ITEM NUMBER:

REV:

-

GB4387K.75


 10600 W Brown Deer Rd
Milwaukee, WI 53224

 COLLABORATIVE METALWORKS <http://www.wagnercompanies.com/>

2



1