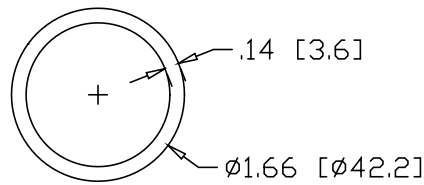
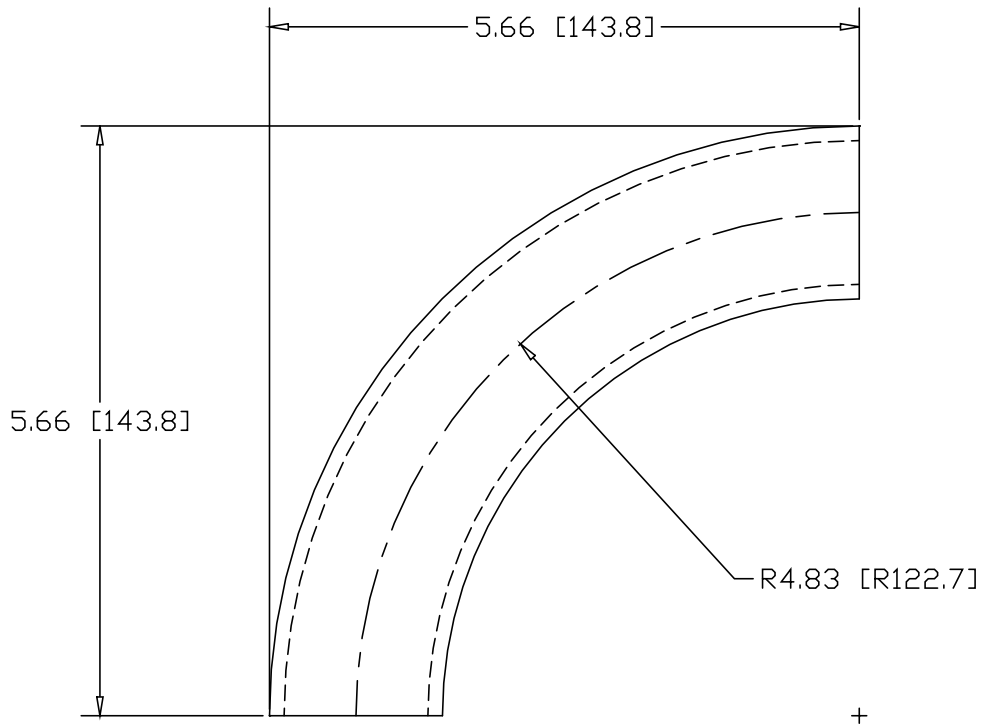



REV
SH
5634
DWG NO

| REVISIONS | | | |
|-----------|-------------|------|----------|
| REV | DESCRIPTION | DATE | APPROVED |



INCHES [MILLIMETERS]

| ALTERNATE MATERIAL | PART NUMBER |
|--|-------------|
| 1-1/4" SCH 40 (6063) ALUMINUM PIPE | 5644 |
| 1-1/4" SCH 40 (304) STAINLESS STEEL PIPE | 5654 |

| | | | | | | |
|-----------|--------|---|----------|------------------------------------|------|-----|
| PART NAME | | | | 1-1/4" PIPE SIZE 90° ELL X 4" I.R. | | |
| MATERIAL | | | | 1-1/4" SCH 40 A53 STEEL PIPE | | |
| DATE | 4/5/96 |  | | | | |
| DRAWN BY | RJF | | | | | |
| FINISH | MILL | | | | | |
| SIZE | A | WEIGHT | 1.43 LBS | PART NUMBER | 5634 | REV |