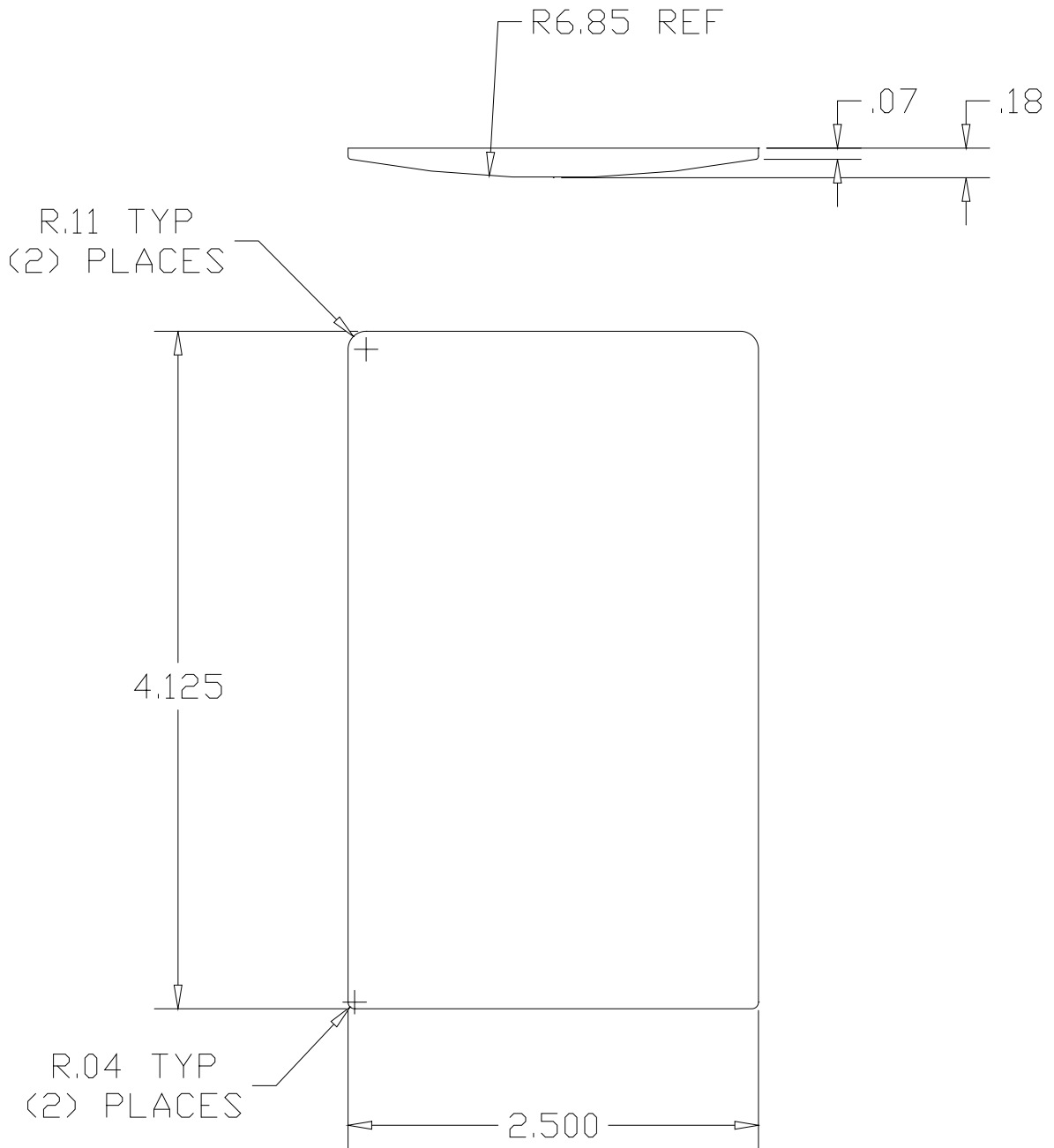


REV
SH
GR2852EM
DWG NO

REVISIONS			
REV	DESCRIPTION	DATE	APPROVED



UNLESS OTHERWISE SPECIFIED
DIMENSIONS ON THIS DRAWING
ARE SUBJECT TO THE
FOLLOWING TOLERANCES:

X.X = .100
X.XX = .030
X.XXX = .010

PART NAME		END CAP, SHOE MOLDING		
MATERIAL		6063-T52 ALUMINUM		
DATE	01/20/10		THE WAGNER COMPANIES R & B WAGNER, INC. AND J. G. BRAUN CO.	
DRAWN BY	RJF			
FINISH	MILL	SIZE	WEIGHT	PART NUMBER
		A	.14 LBS	GR2852EM
				REV