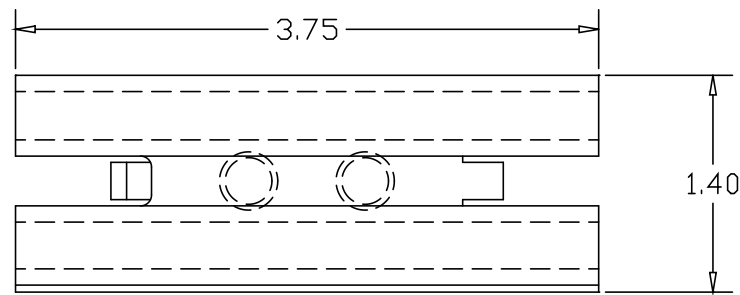
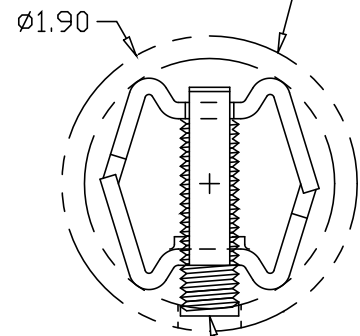


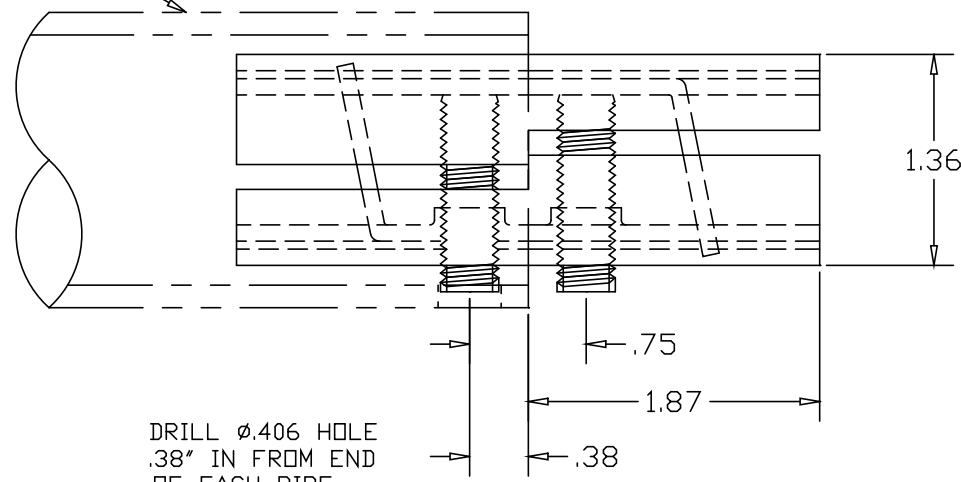
REVISIONS			
REV	DESCRIPTION	DATE	APPROVED




1-1/2" SCHEDULE 40 PIPE



3/8-16
SOCKET HEAD
SET-SCREW
(2) PLACES



DRILL ϕ .406 HOLE
.38" IN FROM END
OF EACH PIPE

PART NAME			
MATERIAL		DOUBLE-LOCK SPLICE-LOCK	
12 GA. 304 STAINLESS STEEL			
DATE	7/22/93	 R & B WAGNER, INC.	
DRAWN BY	RJF		
FINISH	MILL		
SIZE	WEIGHT	PART NUMBER	REV
A	.56 LBS	3361	