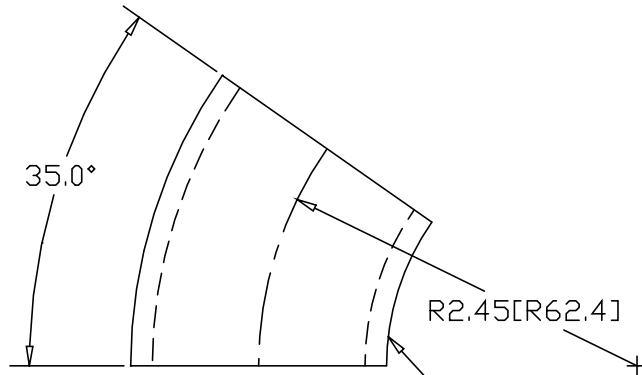
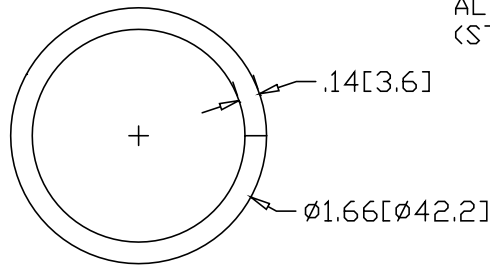


REV  
SH  
4431  
DWG NO

REVISIONS			
REV	DESCRIPTION	DATE	APPROVED




NOTE: UNWELDED SEAM  
ALONG INSIDE RADIUS  
(STEEL ELLS ONLY)



INCHES [MILLIMETERS]

ALTERNATE MATERIAL	PART NUMBER
1-1/4" SCH 40 (6063) ALUMINUM PIPE	4441
1-1/4" SCH 40 (304) STAINLESS STEEL PIPE	4651

PART NAME		1-1/4" PIPE SIZE 35° ELL X 1-5/8" I.R.			
MATERIAL		10 GA. HRP&D STEEL ASTM A569			
DATE	8/18/95	 <b>R &amp; B WAGNER, INC.</b>			
DRAWN BY	RJF				
FINISH	MILL	SIZE	WEIGHT	PART NUMBER	REV
		A	.29 LBS	4431	