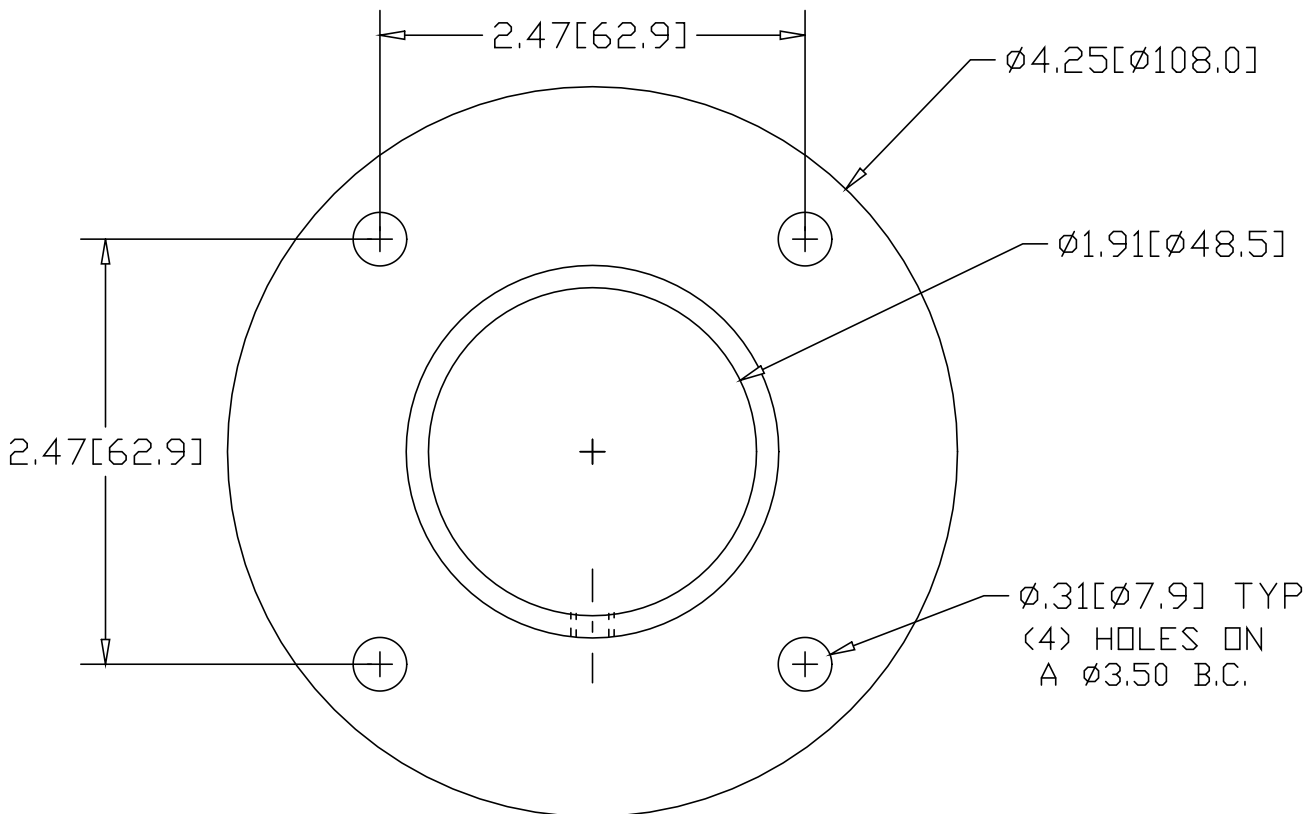
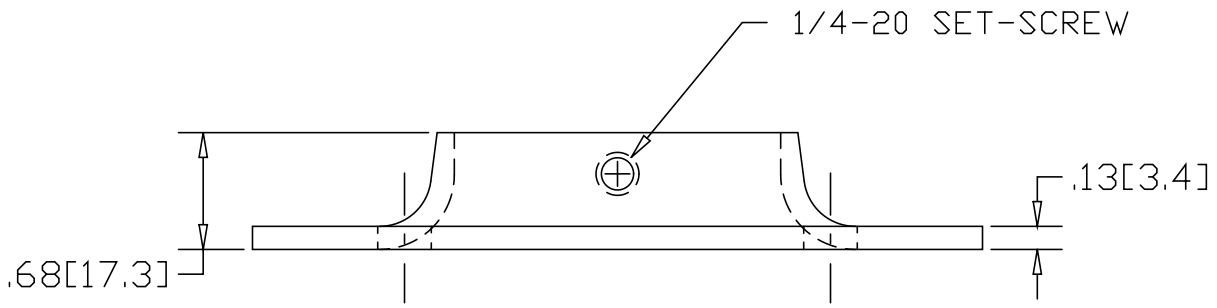


REV
SH
639
DWG NO

REVISIONS			
REV	DESCRIPTION	DATE	APPROVED




Ø4.25[Ø108.0]
Ø1.91[Ø48.5]
Ø.31[Ø7.9] TYP
(4) HOLES ON
A Ø3.50 B.C.



INCHES [MILLIMETERS]

ALTERNATE MATERIAL	PART NUMBER
.125 (3003) ALUMINUM ASTM B209	679
10 GA. (304) STAINLESS STEEL ASTM A240	719

PART NAME 1-1/2" FLAT BASE PIPE FLANGE W/(4) HOLES AND SET-SCREW			
MATERIAL 10 GA. HRP&D STEEL ASTM A-569			
DATE 1/7/99		R & B WAGNER, INC.	
DRAWN BY RJF		PART NUMBER 639	REV
FINISH MILL	SIZE A	WEIGHT .54 lbs	