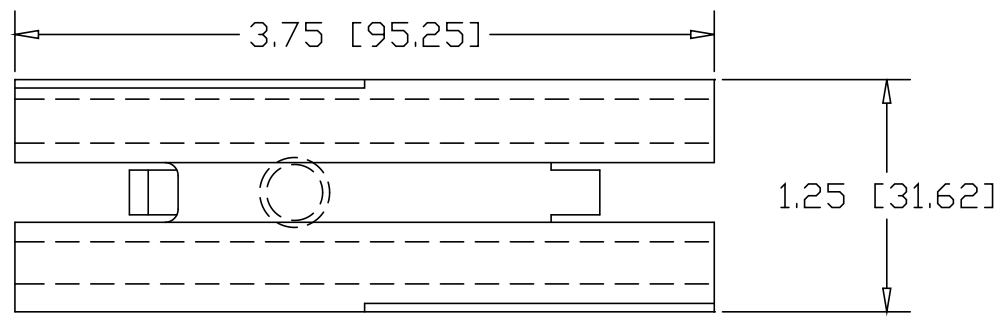
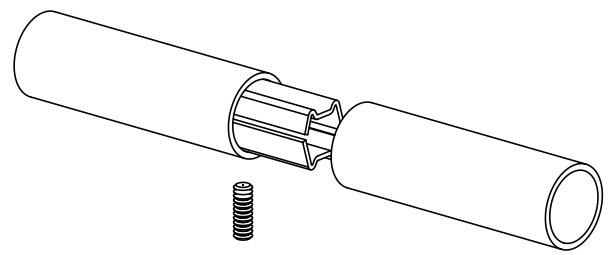
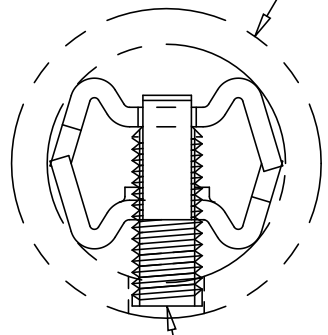


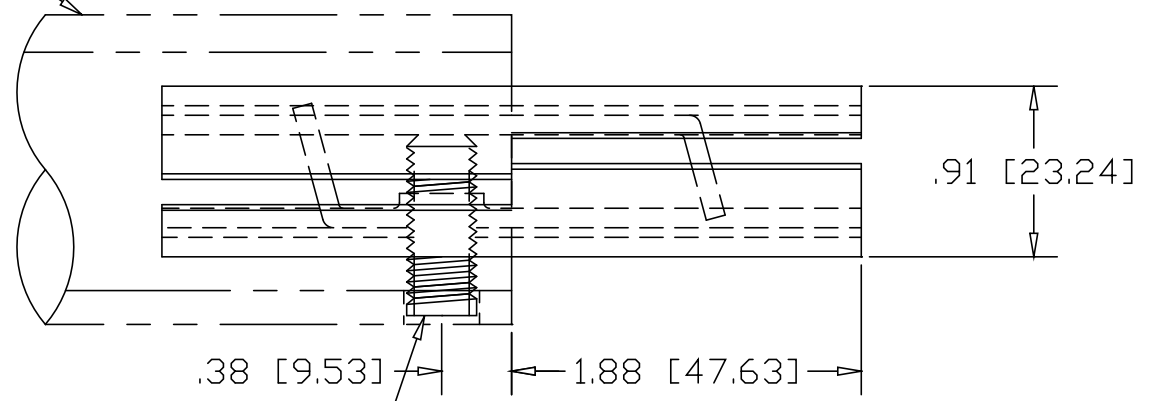
REVISIONS			
REV	DESCRIPTION	DATE	APPROVED



1-1/4" SCHEDULE 80 PIPE  
(1.66 O.D. X .191 WALL)




3/8-16 SOCKET HEAD  
SET-SCREW



DRILL  $\phi$ .406 HOLE  
.38" IN FROM END

INCHES [MILLIMETERS]

ALTERNATE MATERIAL	PART NO.
.090 (3003) ALUMINUM ASTM B209	G3316
.090 (304) STAINLESS STEEL ASTM A240	PL3316

PART NAME		1-1/4" SCH80 PIPE SINGLE-LOCK SPLICE-LOCK		
MATERIAL		12 GA. HRP&D STEEL ASTM A569		
DATE	3/22/93	 <b>THE WAGNER COMPANIES</b> R & B WAGNER, INC. AND J. G. BRAUN CO.		
DRAWN BY	RJF			
FINISH	MILL	SIZE	WEIGHT	PART NUMBER
		A	.43 LBS	3316
				REV