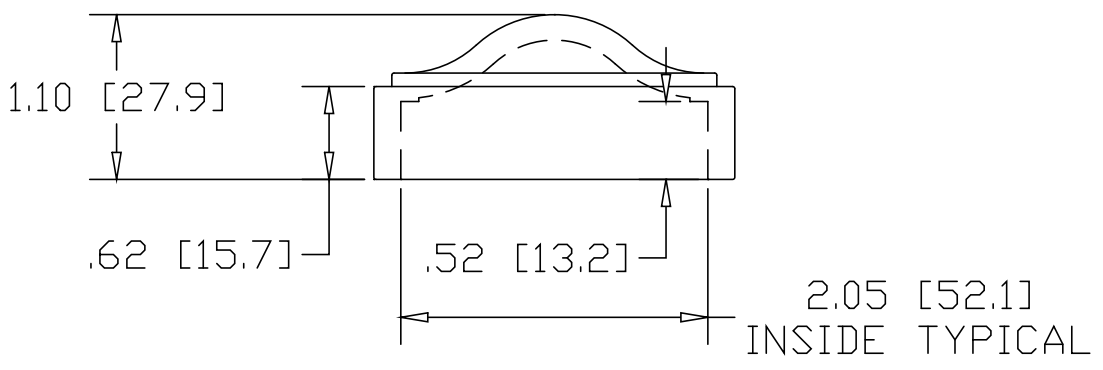
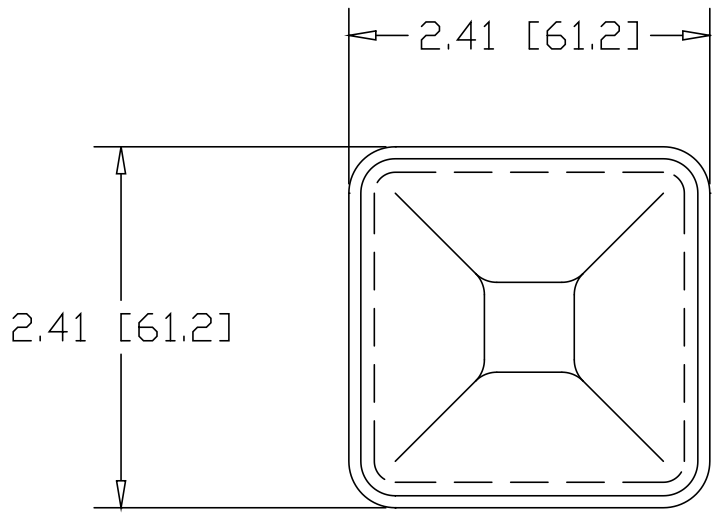



REV
SH
PC12020
DWG NO

REVISIONS			
REV	DESCRIPTION	DATE	APPROVED



INCHES [MILLIMETERS]

PART NAME		2" SQUARE POST CAP					
MATERIAL		CAST IRON					
DATE	03/16/10		THE WAGNER COMPANIES R & B WAGNER, INC. AND J. G. BRAUN CO.				
DRAWN BY	RJF						
FINISH	AS CAST						
SIZE	A	WEIGHT	.42 lbs	PART NUMBER	PC12020	REV	