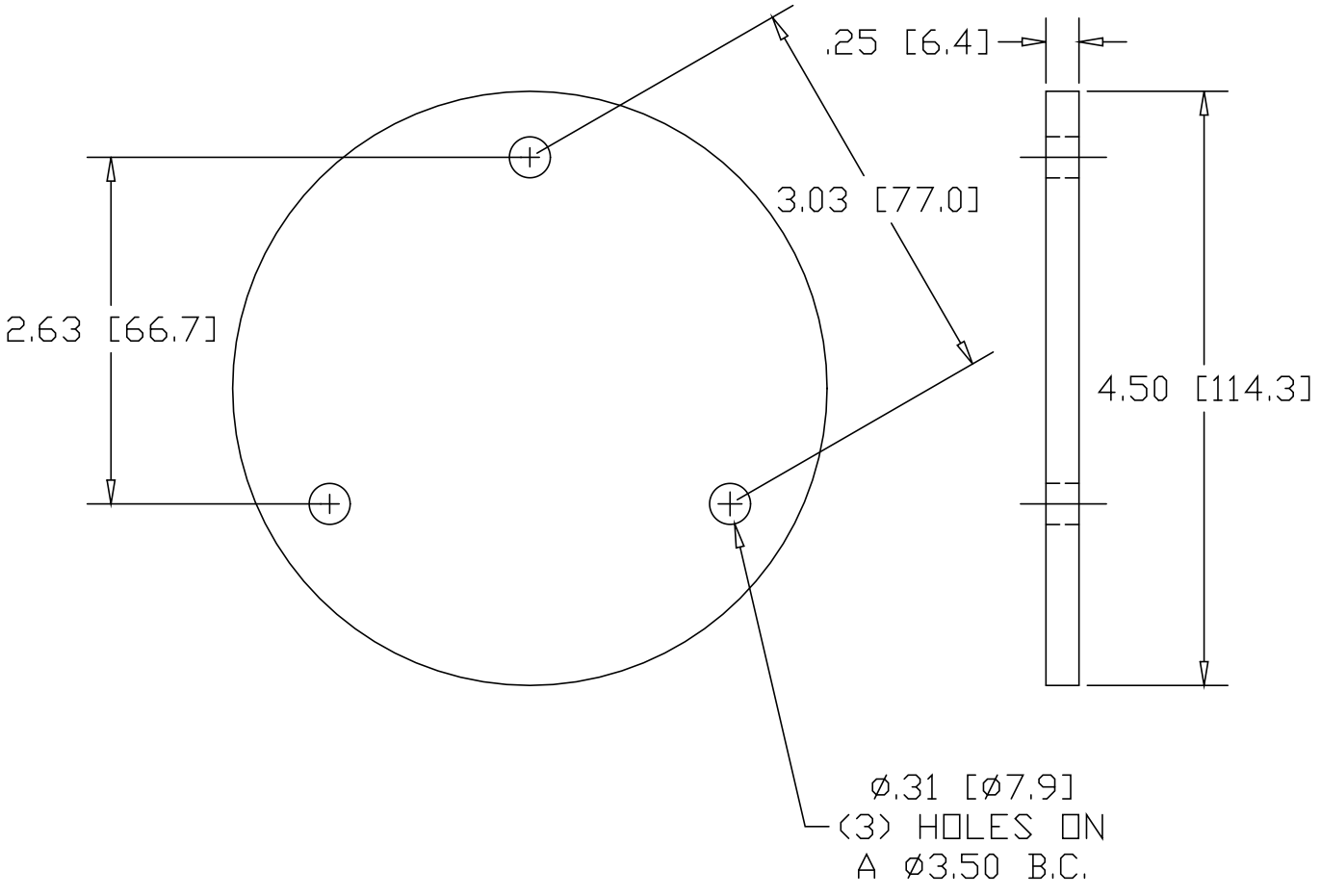



REV
SH
D246H
DWG NO

| REVISIONS | | | |
|-----------|-------------|------|----------|
| REV | DESCRIPTION | DATE | APPROVED |



INCHES [MILLIMETERS]

| ALTERNATE MATERIAL | PART NUMBER |
|--------------------------------------|-------------|
| .250 (3003) ALUMINUM ASTM B209 | D247H |
| .250 (304) STAINLESS STEEL ASTM A240 | D248H |

| | | | | | |
|-----------|----------|---|---------|------------------------------------|-------|
| PART NAME | | | | 4.50" BASE DISK WITH (3) MTG HOLES | |
| MATERIAL | | | | .250 HRP&D STEEL ASTM A569 | |
| DATE | 11/20/98 |  THE WAGNER COMPANIES R & B WAGNER, INC. AND J. G. BRAUN CO. | | | |
| DRAWN BY | RJF | | | | |
| FINISH | MILL | | | | |
| SIZE | A | WEIGHT | .94 LBS | PART NUMBER | D246H |
| | | | | REV | |