

NOTE:  
SEE SHEET 2 FOR SUPPLIER PRINT AND APPROVED DIMENSIONS

REVISION HISTORY			
REV	DESCRIPTION	DATE	APPROVED
1	REMOVED LOWER LEG REVISED AND REDRAWN IN CAD	1/23/2020	AHS

<b>TOLERANCE</b>  UNLESS OTHERWISE NOTED, TOLERANCES TO CONFORM TO ES.03.011	CUT LENGTH:	FINISH:	DESCRIPTION: Gasket, Plastic, Glass Rail, Insert For Top of PanelGrip Shoe Mouldings, Black	
	DEVELOPED LENGTH:	WEIGHT:	MATERIAL: z-Rubber	MATERIAL DESC: Rubber
	TOOL NUMBER:		DATE: 1/23/2020	REV: 1
			DRAWN BY: K. Turdo	10600 W Brown Deer Rd Milwaukee, WI 53224 COLLABORATIVE METALWORKS <a href="http://www.wagnercompanies.com/">http://www.wagnercompanies.com/</a>
		PART NUMBER: GR9355		



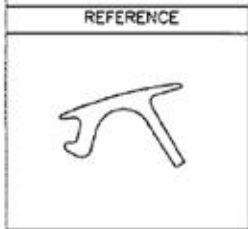
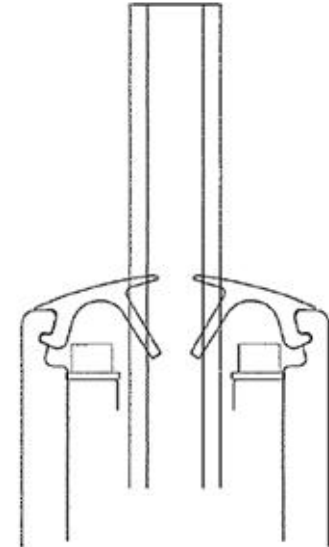
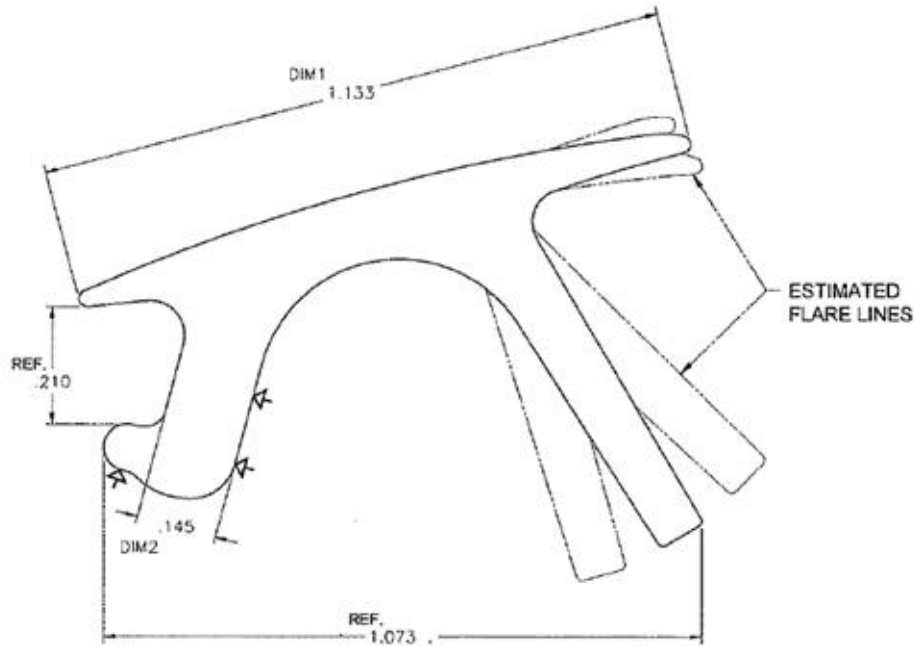
DENSE RUBBER		
ASPM CLASS 2   TABLE 1		
DIMENSIONS (in)   ISO-E 2015		
Above	Up To	Tolerance
0.000	0.050	±0.010
0.061	0.100	0.014
0.101	0.160	0.016
0.161	0.250	0.020
0.251	0.390	0.027
0.391	0.630	0.031
0.631	0.980	0.039
0.981	1.570	0.051
1.571	2.480	0.063
2.481	3.940	0.070

See 2.26 for dimensions over 250 inches.

I have inspected this drawing submitted by Cooper Standard ISG, and approve/validate the design, dimensions, and tolerances.

*[Signature]*      11-19-19  
 Signature                      Date

NO	REVISIONS	DATE	BY	ECN#



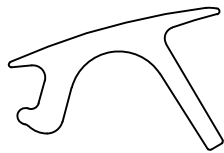
**\*\*DO NOT SCALE DRAWING\*\***

**CooperStandard**  
INDUSTRIAL AND SPECIALTY

CONFIDENTIAL AND PROPRIETARY INFORMATION. THIS DRAWING AND ALL OF THE INFORMATION CONTAINED HEREIN IS OWNED SOLELY BY COOPER STANDARD ISG WHICH RESERVES ALL THE RIGHTS TO THIS INFORMATION. REPRODUCTION, PUBLICATION, DISTRIBUTION, AND/OR DISSEMINATION OF THIS INFORMATION, IN WHOLE, OR IN PART, IS PROHIBITED WITHOUT WRITTEN AUTHORIZATION FROM COOPER-STANDARD ISG.

DESIGN BY: LMW      DATE: 11/15/19  
 CUSTOMER: R&B WAGNER INC  
 PROGRAM / PROJECT: GR9355 REDESIGN  
 CUSTOMER P/N:        
 MATERIAL: 70 DURO DENSE EPDM (BLACK)  
 MATERIAL SPECIFICATION: ASTM D 2000  
 FINISHING REF:      DRAWING NO: 56373  
 SHEET 1 NO. 1

UNITS = INCH [MM]



<b>TOLERANCE</b>  UNLESS OTHERWISE NOTED, TOLERANCES TO CONFORM TO ES.03.011	CUT LENGTH:	FINISH:	DESCRIPTION: Gasket, Plastic, Glass Rail, Insert For Top of PanelGrip Shoe Mouldings, Black	
	DEVELOPED LENGTH:	Mill	MATERIAL: z-Rubber	MATERIAL DESC: Rubber
	TOOL NUMBER:	WEIGHT:	DATE: 1/23/2020	REV: 1
		0.10 lbmass	DRAWN BY: K. Turdo	PART NUMBER: GR9355

**WAGNER** 10600 W Brown Deer Rd  
 Milwaukee, WI 53224  
 COLLABORATIVE METALWORKS <http://www.wagnercompanies.com/>

