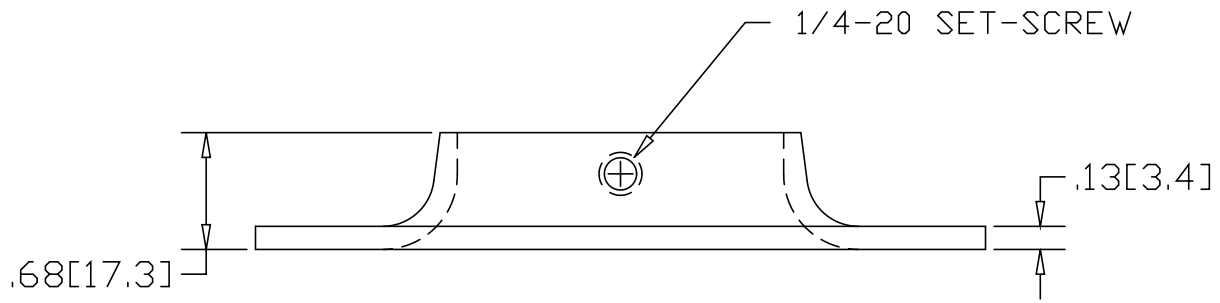
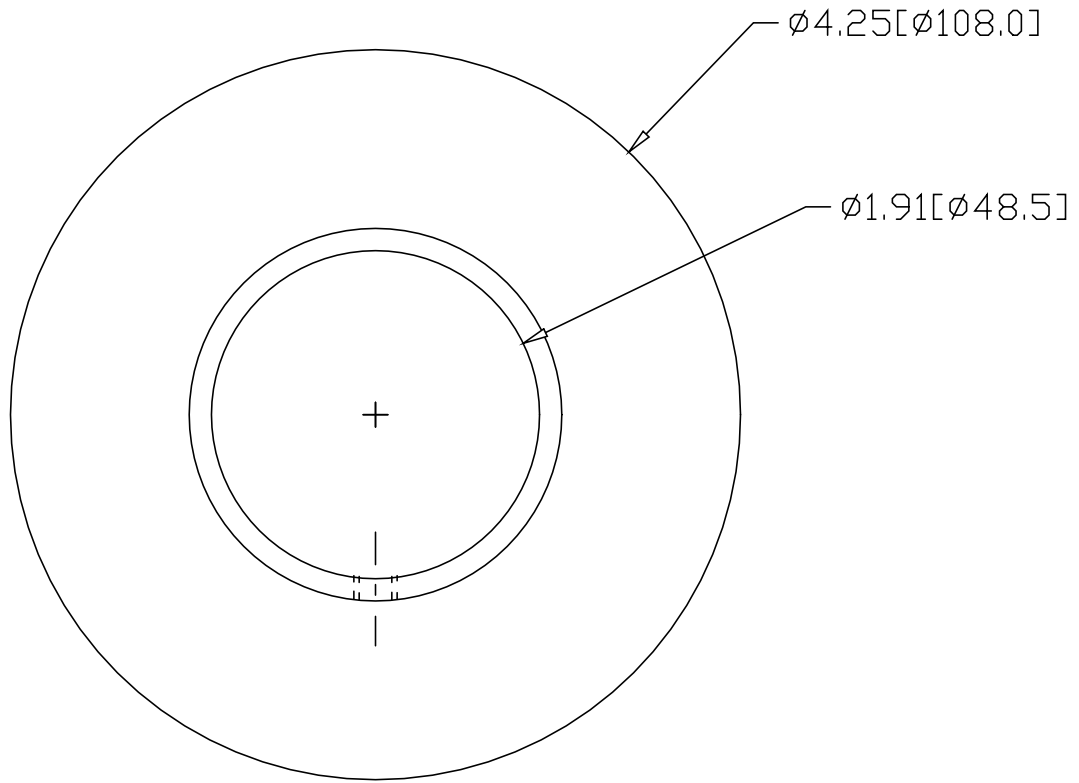



REV  
SH  
637  
DWG NO

REVISIONS			
REV	DESCRIPTION	DATE	APPROVED



INCHES [MILLIMETERS]

ALTERNATE MATERIAL	PART NUMBER
.125 (3003) ALUMINUM ASTM B209	677
10 GA. (304) STAINLESS STEEL ASTM A240	717

PART NAME 1-1/2" FLAT BASE PIPE FLANGE WITH SET-SCREW				
MATERIAL 10 GA. HRP&D STEEL ASTM A-569				
DATE 1/7/99	 <b>R &amp; B WAGNER, INC.</b>			
DRAWN BY RJF				
FINISH MILL	SIZE A	WEIGHT .54 lbs	PART NUMBER 637	REV