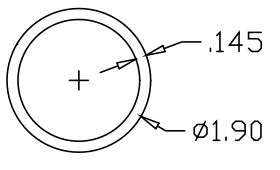
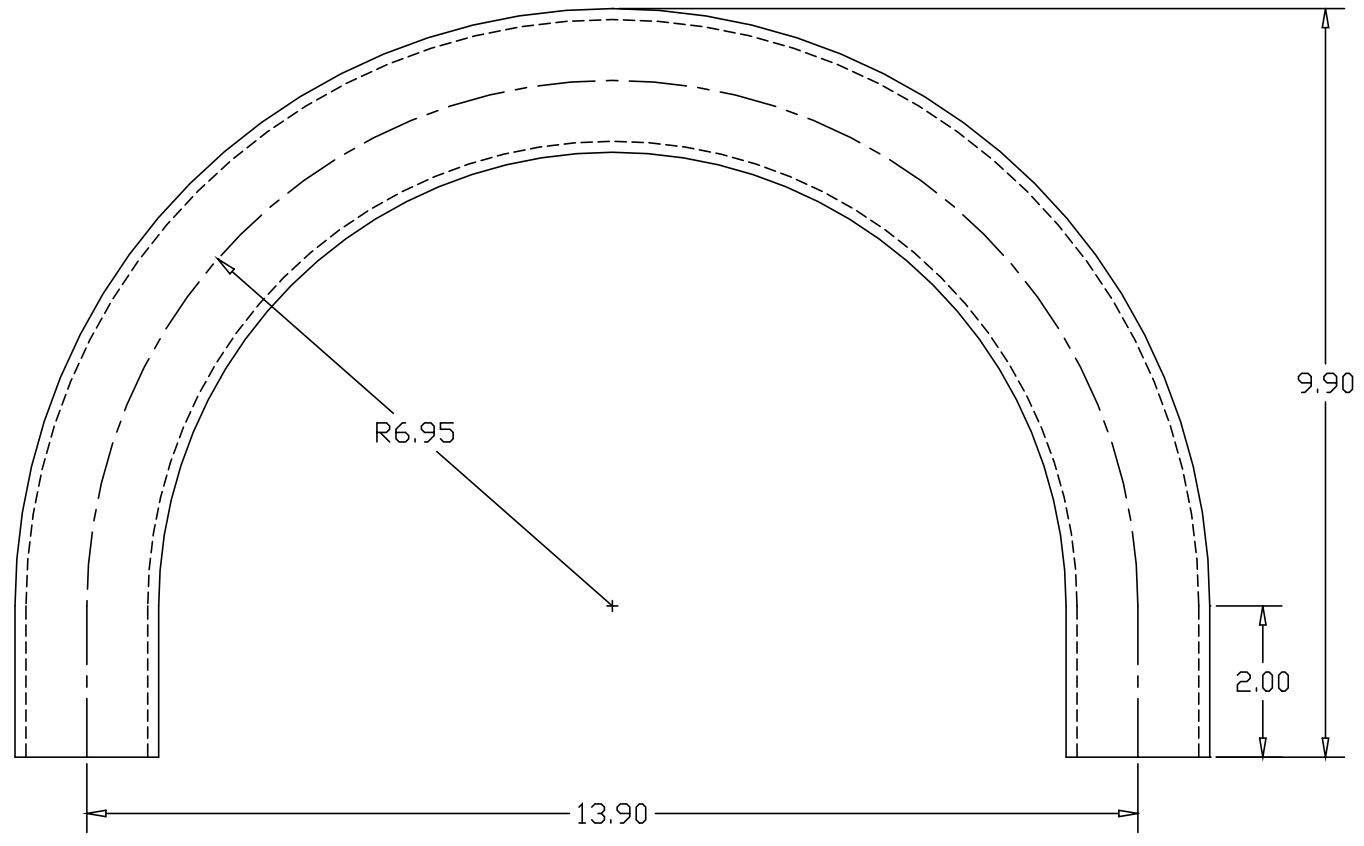



REV
SH
7534
DWG NO

REVISIONS			
REV	DESCRIPTION	DATE	APPROVED



ALTERNATE MATERIAL	PART NUMBER
1-1/2" SCH 40 (6063) ALUMINUM PIPE	7554
1-1/2" SCH 40 (304) STAINLESS STEEL PIPE	7574

PART NAME 1-1/2" PIPE SIZE 180° ELL X 6" I.R. W/ (2) 2" TANGENTS				
MATERIAL 1-1/2" SCH 40 A53 STEEL PIPE				
DATE 8/23/96		R & B WAGNER, INC.		
DRAWN BY RJF		FINISH MILL	SIZE A	WEIGHT 5.86 LBS
		PART NUMBER	7534	REV