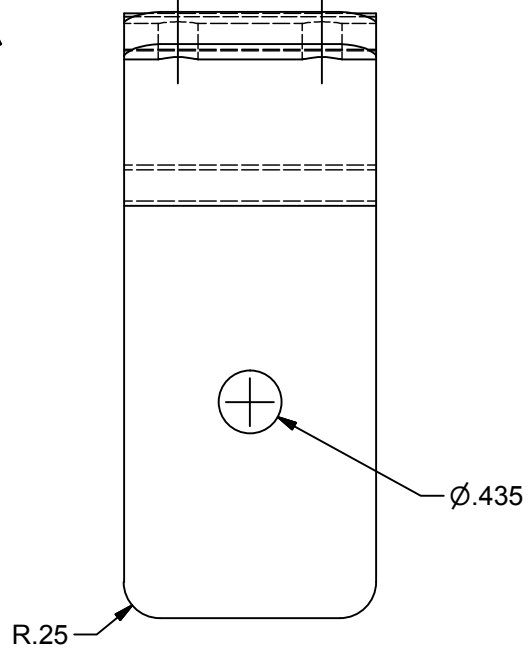
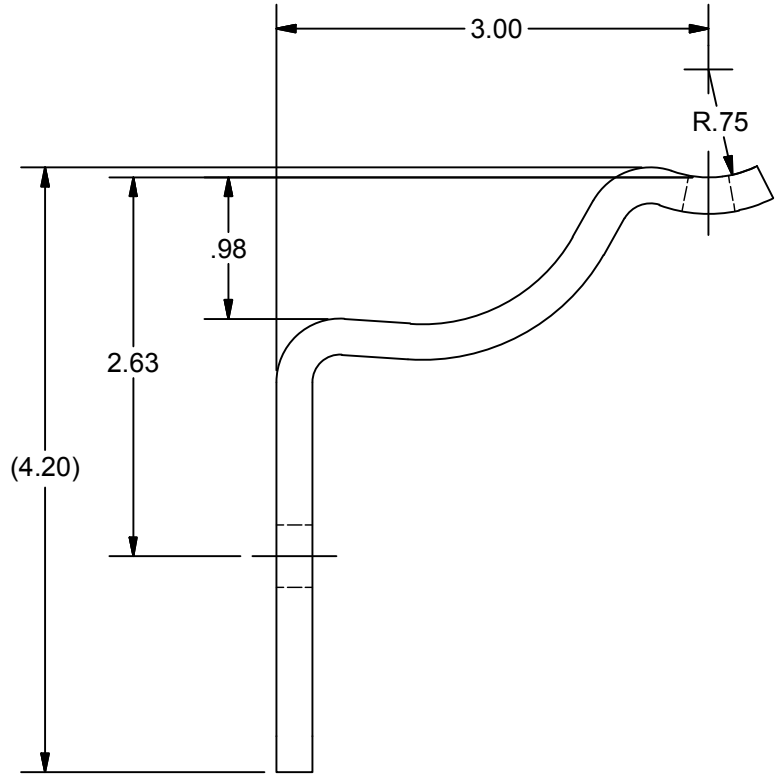
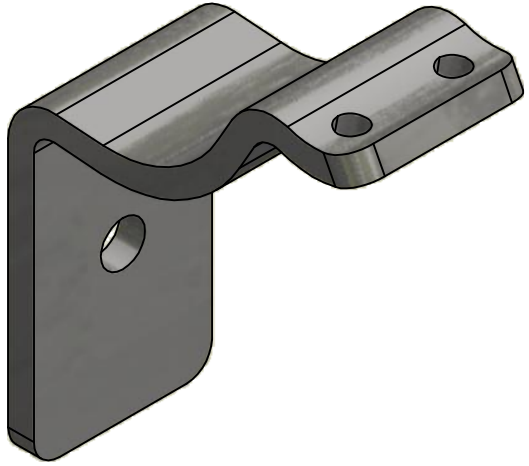


REVISION HISTORY			
REV	DESCRIPTION	DATE	APPROVED
1	REDRAWN	12/29/09	RK
2	REDRAWN TO CURRENT FORM TOOL	08/14/17	RJF



NAME		BRACKET, EXTRUDED STYLE STAMPED		
MATERIAL		.250 STEEL ASTM A1018		
DATE	3/25/1993	COLLABORATIVE METAL WORKS		
DRAWN	RJF			
FINISH	MILL	SIZE	WEIGHT	PART NUMBER
		A	.785 LBS	1978R
				REV 2

