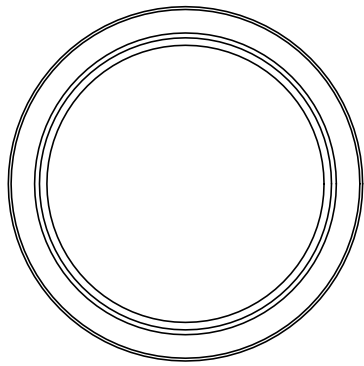
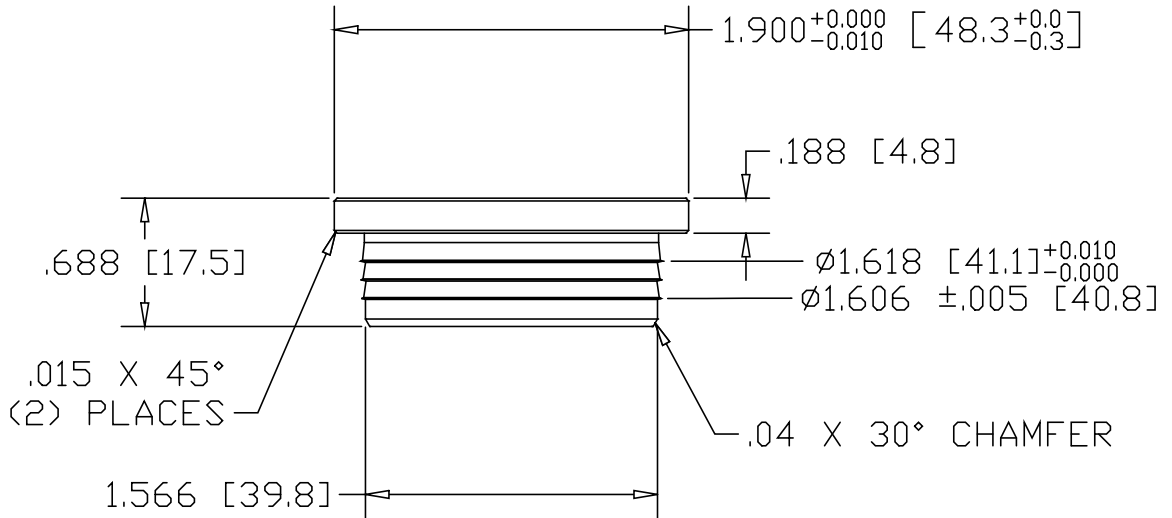



REV  
SH  
3292M  
DWG NO

REVISIONS			
REV	DESCRIPTION	DATE	APPROVED



INCHES [MILLIMETERS]

PART NAME 1-1/2" PIPE SIZE TYPE-E MACHINED DRIVE-ON CAP			
MATERIAL 6063-T52 ALUMINUM			
DATE 04/20/05		<b>THE WAGNER COMPANIES</b> R & B WAGNER, INC. AND J. G. BRAUN CO.	
DRAWN BY RJF			
FINISH MILL			
SIZE A	WEIGHT .17 LBS	PART NUMBER 3292M	REV