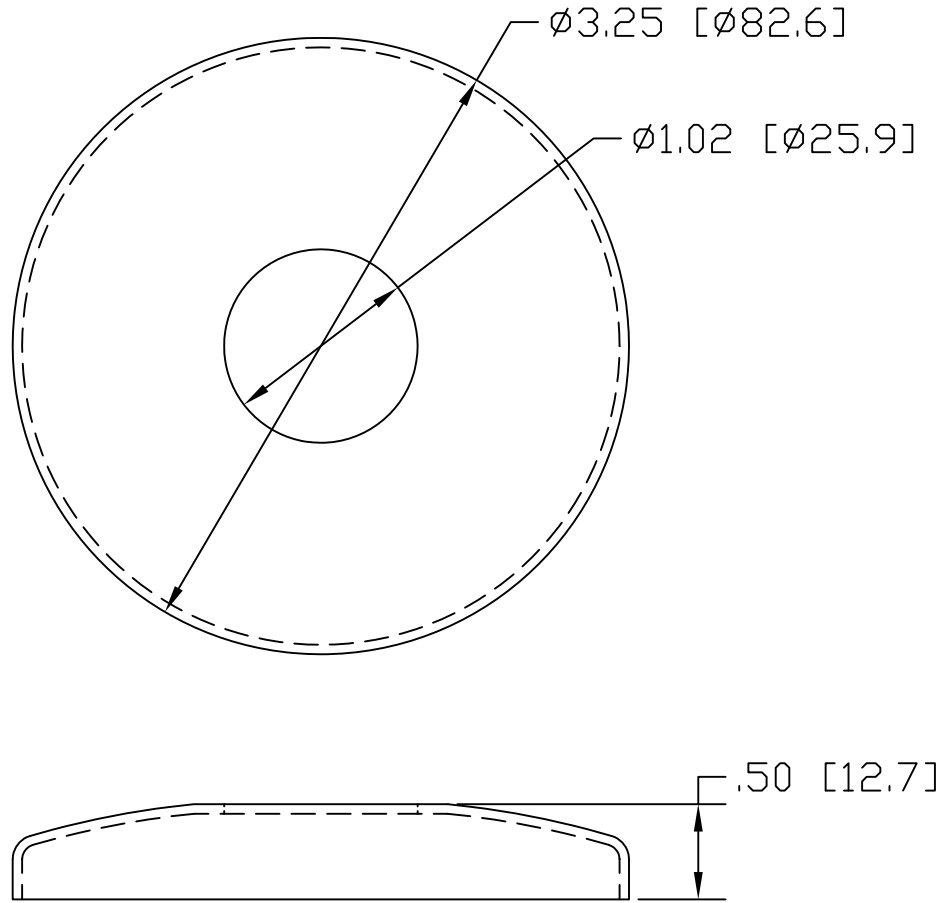


REV A
SH
2051
DWG NO


REVISIONS			
REV	DESCRIPTION	DATE	APPROVED
A	.50 WAS .54	04/07/14	RJF



* USE WITH BASE
 #2051B IN STEEL
 #2052B IN ALUMINUM
 #2053B IN STAINLESS
 #2054B IN BRASS

INCHES [MILLIMETERS]

ALTERNATE MATERIAL	PART NUMBER
.063 (3003) ALUMINUM ASTM B209	2052
18 GA. (304) STAINLESS STEEL A240	2053
.050 (260) BRASS B19,B36	2054

PART NAME		1.00" OD TUBE SNAP COVER		
MATERIAL		18 GA. CR STEEL ASTM A366		
DATE	4/3/97	 R & B WAGNER, INC.		
DRAWN BY	RJF			
FINISH	MILL	SIZE	WEIGHT	PART NUMBER
		A	.13 LBS	2051
				REV A