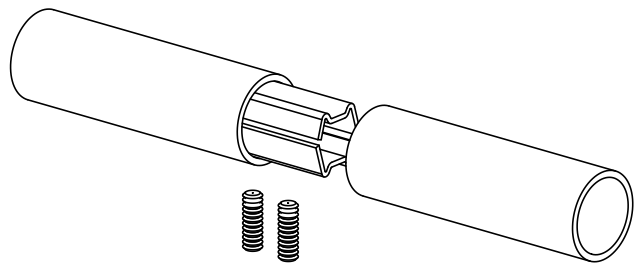
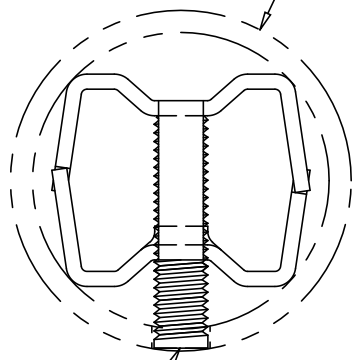


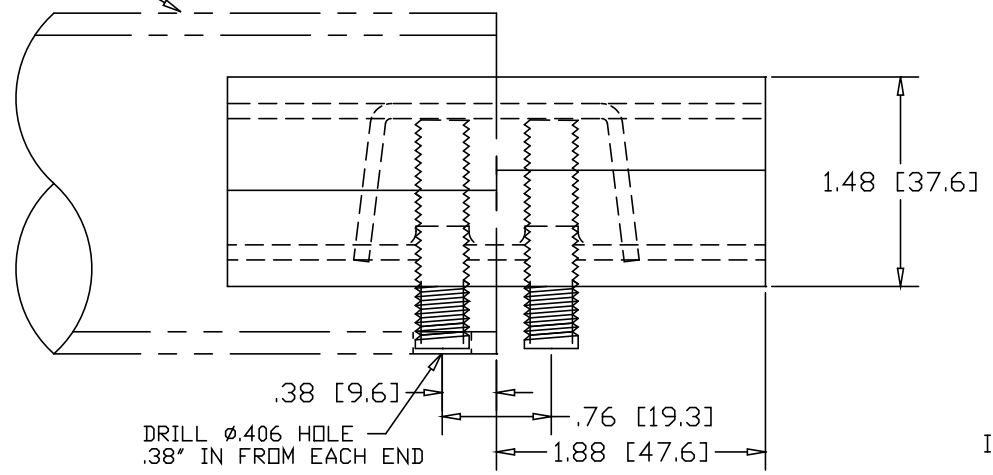
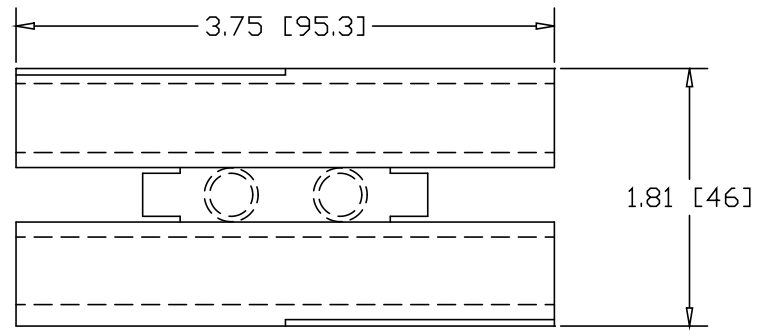
REVISIONS			
REV	DESCRIPTION	DATE	APPROVED



2" SCHEDULE 40 PIPE
(2.38 O.D. X .154 WALL)




3/8-16 SOCKET HEAD
SET-SCREW X 1-5/8" LONG



DRILL ϕ .406 HOLE
.38" IN FROM EACH END

INCHES [MILLIMETERS]

ALTERNATE MATERIAL	PART NO.
12 GA. STEEL HOT DIP GALVANIZED	G3362
12 GA. STEEL ZINC PLATED	PL3362
.090 (3003) ALUMINUM ASTM B209	3363
.090 (304) STAINLESS STEEL ASTM A240	3365

PART NAME		2" SCH40 PIPE DOUBLE-LOCK SPLICE-LOCK					
MATERIAL		12 GA. HRP&D STEEL ASTM A569					
DATE	5/10/96	 R & B WAGNER, INC.					
DRAWN BY	RJF						
FINISH	MILL						
SIZE	A	WEIGHT	.62 LBS	PART NUMBER	3362	REV	