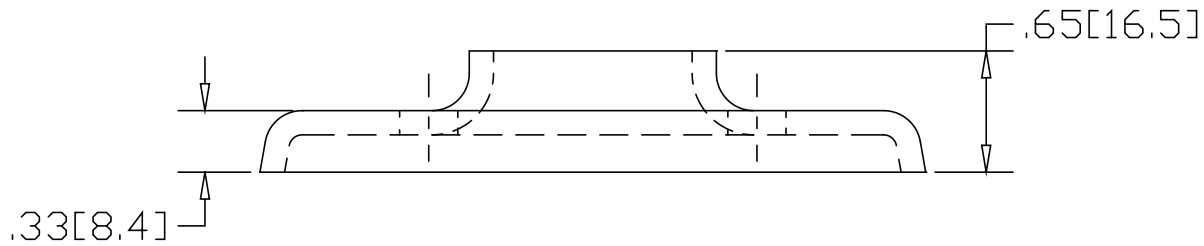
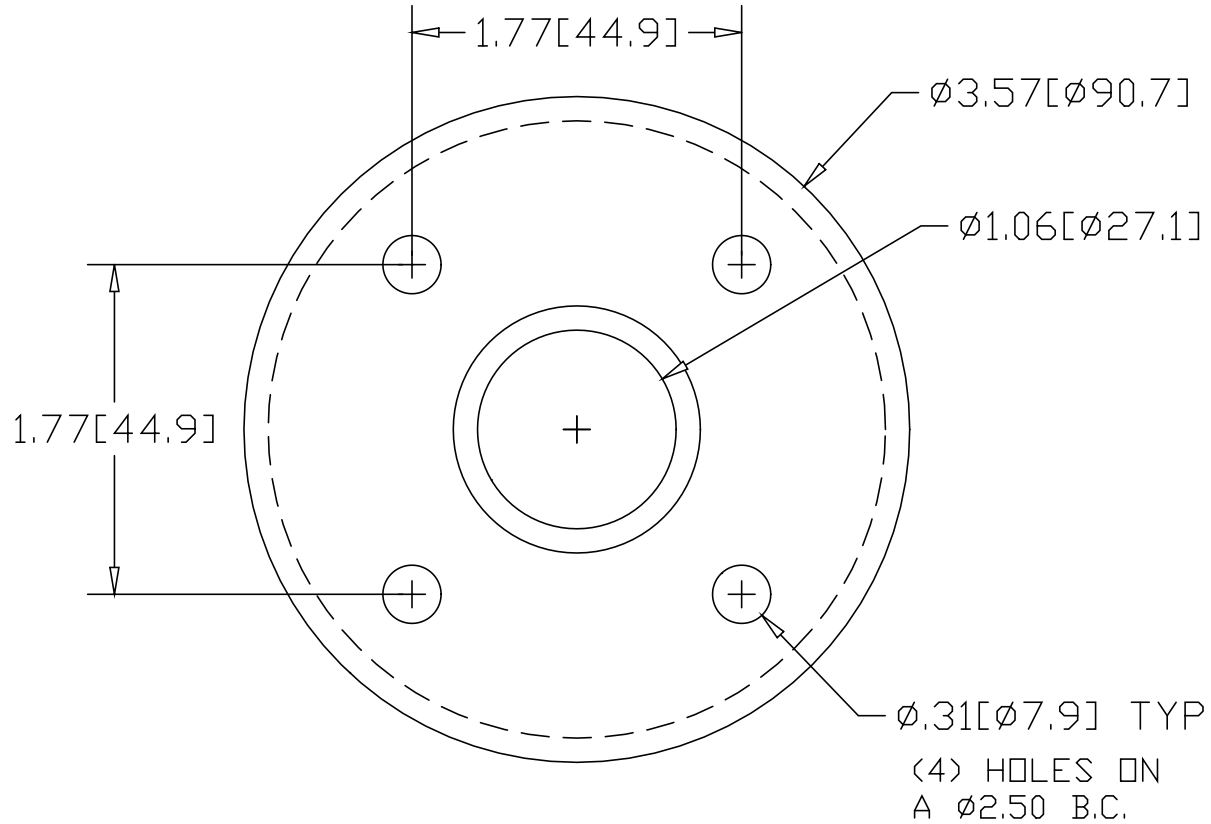


REV
SH
1412
DWG NO

| REVISIONS | | | |
|-----------|-------------|------|----------|
| REV | DESCRIPTION | DATE | APPROVED |



INCHES [MILLIMETERS]

*USE WITH ANCHOR PLATE
 #B1416 IN STEEL
 #PLB1416 ZINC PLATED STEEL
 #B1516 IN STAINLESS

| ALTERNATE MATERIAL | PART NUMBER |
|--|-------------|
| .125 (3003) ALUMINUM ASTM B209 | 1452 |
| 10 GA. (304) STAINLESS STEEL ASTM A240 | 1512 |

| | | | |
|---|----------------|------------------|-----|
| PART NAME 3/4" PIPE HEAVY BASE FLANGE W/(4) HOLES | | | |
| MATERIAL 10 GA. HRP&D STEEL ASTM A569 | | | |
| DATE 9/13/94 | | | |
| DRAWN BY RJF | | | |
| FINISH MILL | | | |
| SIZE A | WEIGHT .41 LBS | PART NUMBER 1412 | REV |