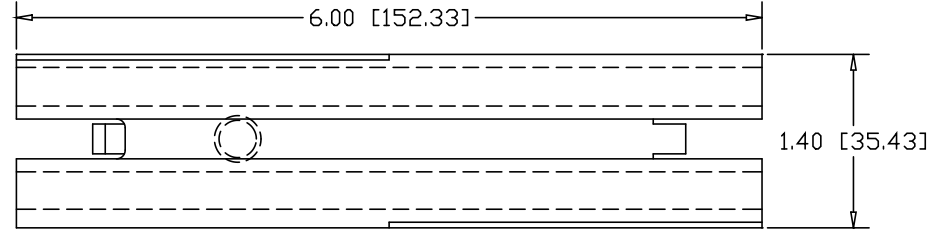
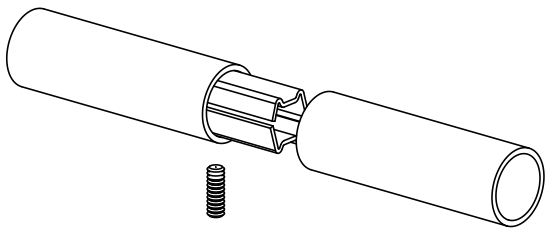
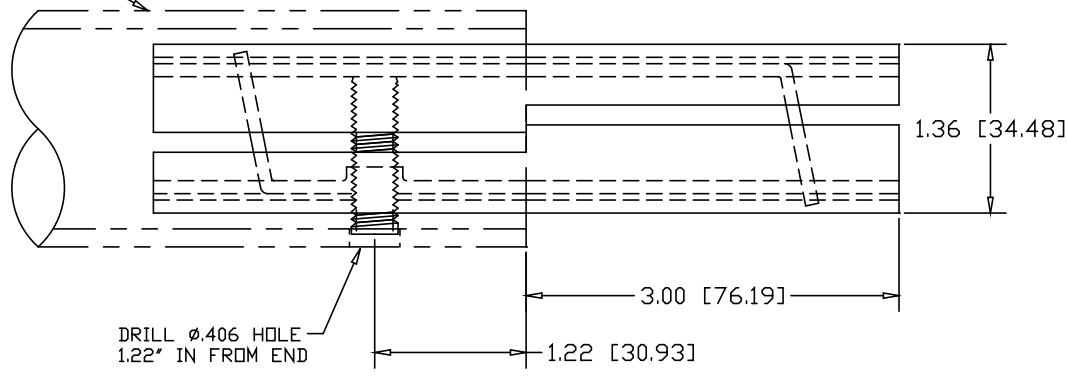
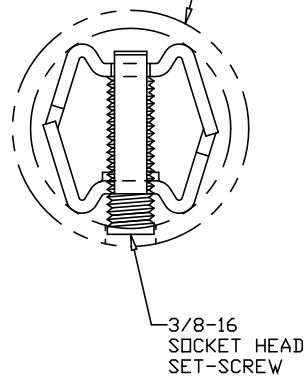


REVISIONS			
REV	DESCRIPTION	DATE	APPROVED




1-1/2" SCHEDULE 40 PIPE  
(1.90" O.D. X .145 WALL)



DRILL  $\phi$ .406 HOLE  
1.22" IN FROM END

ALTERNATE MATERIAL	PART NO.
12 GA. STEEL HOT DIP GALVANIZED	G3324
12 GA. STEEL PLATED	PL3324
.090 (3003) ALUMINUM ASTM B209	3345
.090 (304) STAINLESS STEEL ASTM A240	3349

PART NAME		1-1/2" SCH40 PIPE SINGLE-LOCK SPLICE-LOCK 6" LONG		
MATERIAL		12 GA. HRP&D STEEL ASTM A569		
DATE	3/22/93	 <b>THE WAGNER COMPANIES</b> R & B WAGNER, INC. AND J. G. BRAUN CO.		
DRAWN BY	RJF		SIZE	WEIGHT
FINISH	MILL		A	.88 LBS
		PART NUMBER	3324	REV