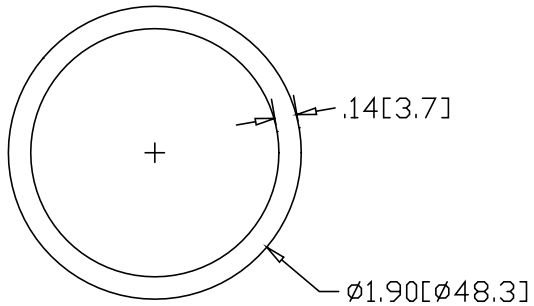
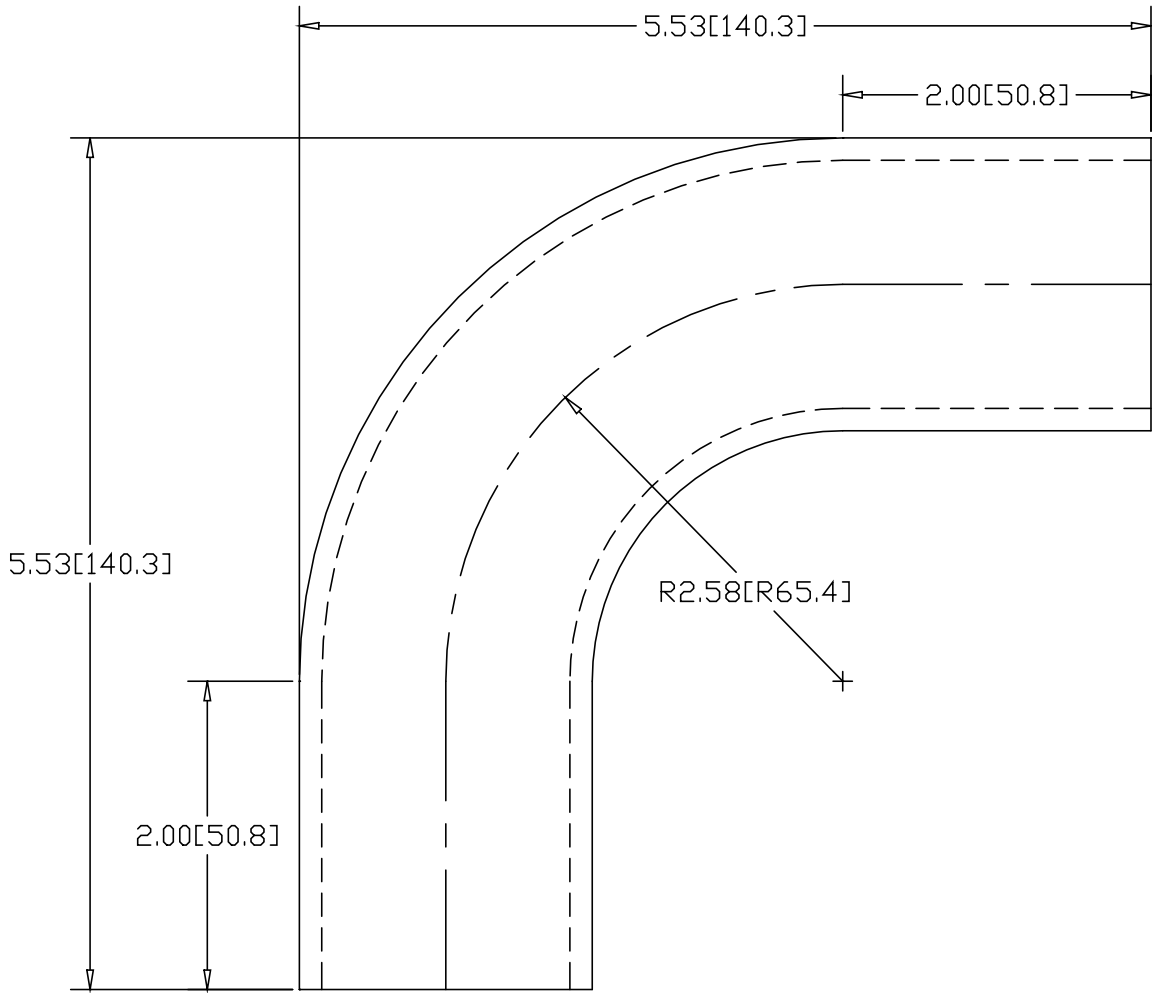


REV
SH
DWG NO 4733

REVISIONS			
REV	DESCRIPTION	DATE	APPROVED



INCHES [MILLIMETERS]

ALTERNATE MATERIAL	PART NUMBER
1-1/2" SCH 40 (6063) ALUMINUM PIPE	4738
1-1/2" SCH 40 (304) STAINLESS STEEL PIPE	4686

PART NAME 1-1/2" PIPE SIZE 90° ELL X 1-5/8" I.R. W/(2) 2" TANGENTS
 MATERIAL 1-1/2" SCH 40 STEEL PIPE

DATE 8/18/95
 DRAWN BY RJF
 FINISH MILL



R & B WAGNER, INC.

SIZE	WEIGHT	PART NUMBER	REV
A	1.70 LBS	4733	