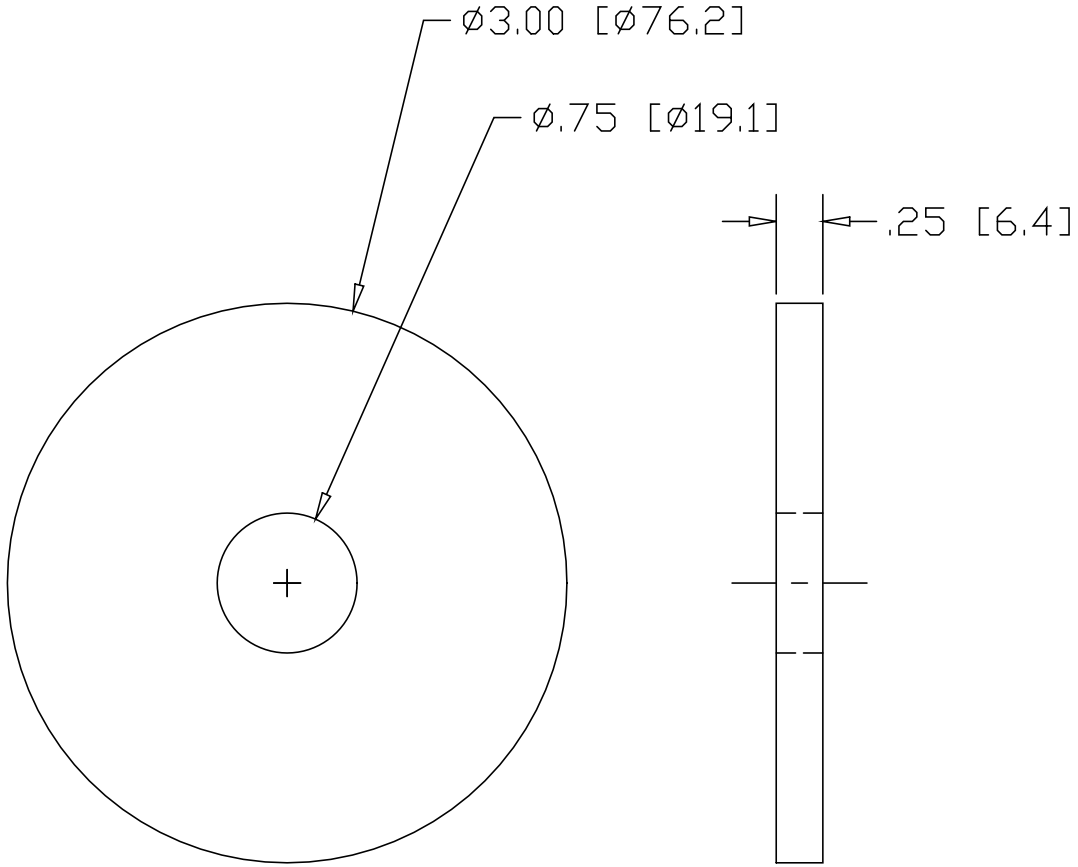



REV
SH
D143C7
DWG NO

REVISIONS			
REV	DESCRIPTION	DATE	APPROVED



INCHES[MILLIMETERS]

ALTERNATE MATERIAL	PART NUMBER
.250 (3003) ALUMINUM ASTM B209	D144C7
.250 (304) STAINLESS STEEL ASTM A240	D145C7
.250 (260) BRASS ASTM B19,B36	D146C7
.250 (280) MUNTZ METAL	D146MC7

PART NAME		3.00" OD BASE DISK WITH .75 DIA CENTER HOLE					
MATERIAL		.250 HRP&D STEEL ASTM A569					
DATE	11/20/98	 THE WAGNER COMPANIES R & B WAGNER, INC. AND J. G. BRAUN CO.					
DRAWN BY	RJF						
FINISH	MILL						
SIZE	A	WEIGHT	.5 LBS	PART NUMBER	D143C7	REV	