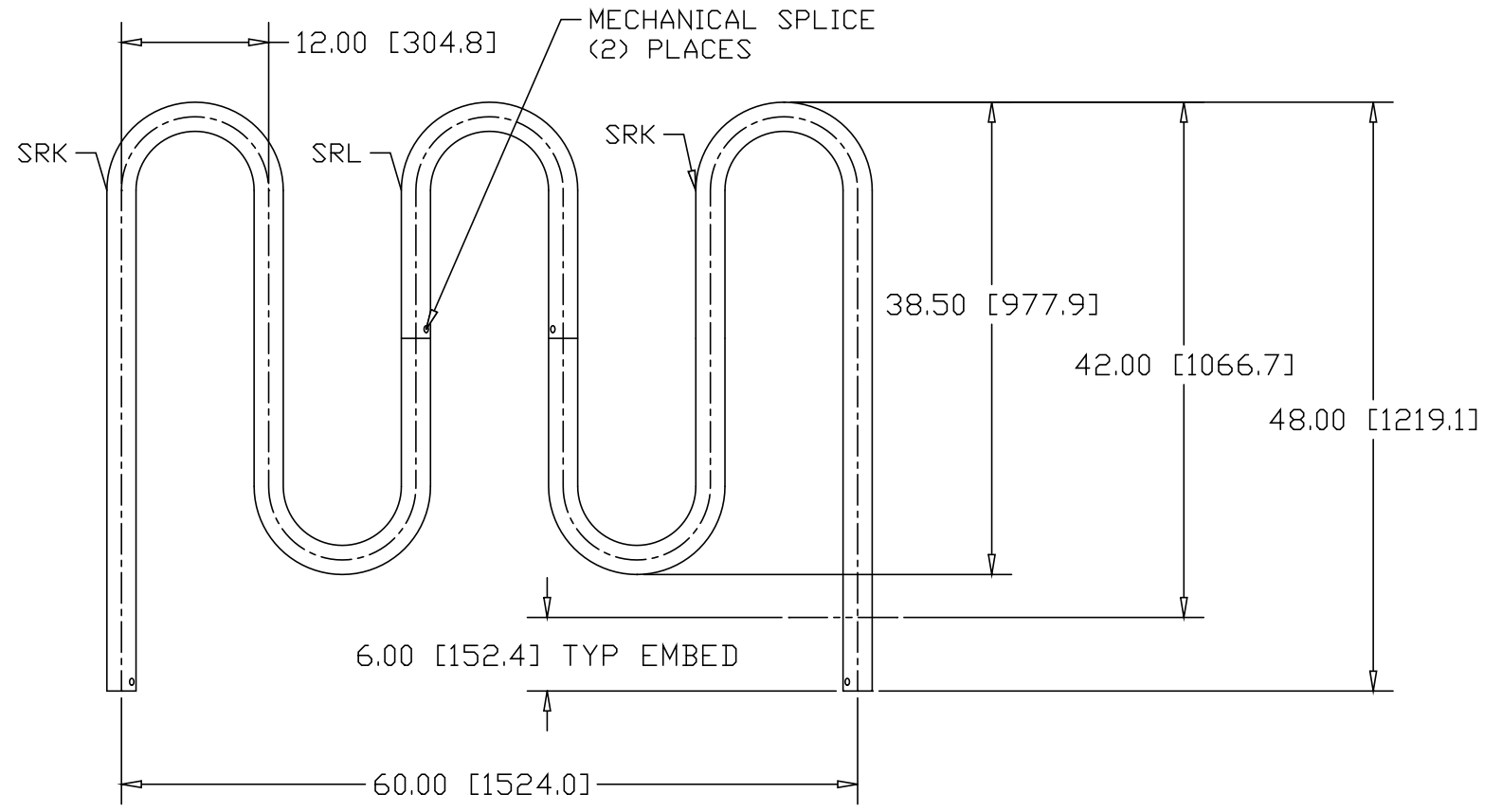


REVISIONS			
REV	DESCRIPTION	DATE	APPROVED
A	Ht WAS 52.00, EMBED WAS 10.00	12/19/06	RJF



INCHES [MILLIMETERS]

PART NAME		PRE-GALVANIZED BIKE RACK KIT, (5) LOOP		
MATERIAL		2.375" OD X .120W GALVANIZED STEEL TUBE		
DATE	04/21/06	<b>WAGNER</b>	THE WAGNER COMPANIES R & B WAGNER, INC. AND J. G. BRAUN CO.	
DRAWN BY	RJF			
FINISH	GALVANIZED	SIZE A	WEIGHT 64.9 LBS	PART NUMBER SR5LW
				REV A