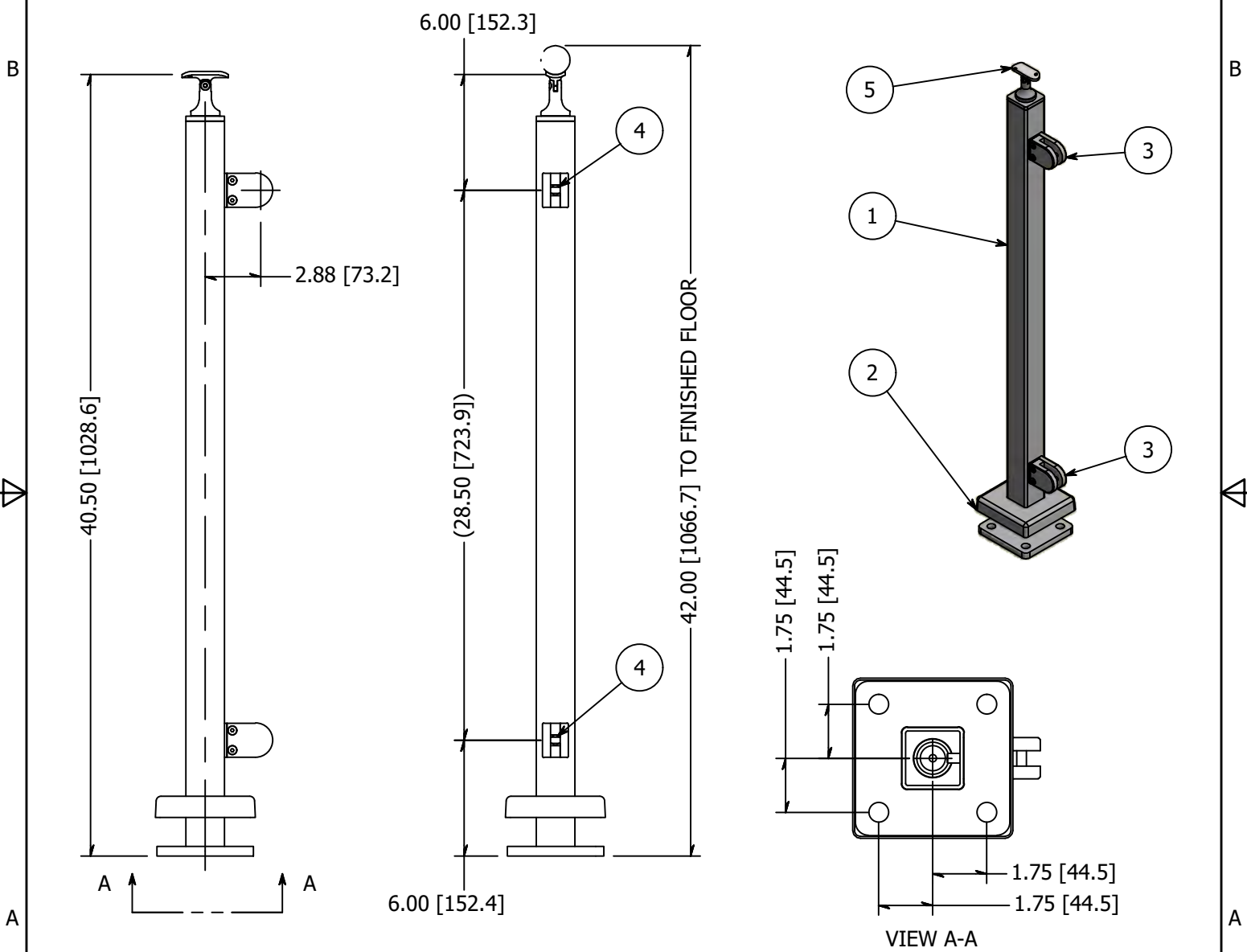



PARTS LIST

ITEM	QTY	PART NUMBER	DESCRIPTION
1	1	LG32242ESMA	End Post, Stainless Steel, 2.00 Inch Square x 0.12 Inch Wall, 42 High, Brushed Satin Finish, Grade 316, Surface Mount, Assm
2	1	LG322SMC	Flange, Stainless Steel, Snap-On Cover For 2 Inch Square Tube, Satin Brushed Finish, Type 316
3	2	GR310F.4-R	Clip, Stainless Steel, Panel Mounting, Flat Base, Round Type, #4 Satin Finish, Type 316
4	2	SHC3NM08C-0020	Screw, Stainless Steel, M8-1.25 x 20mm, Socket Head Cap Screw, A4-70
5	1	SS507	SADDLE, SWIVEL, CAST W/ HOLES



REVISION HISTORY			
REV	DESCRIPTION	DATE	APPROVED
2	Wall Thickness was changed from 0.25 to 0.12 and the corner radii from .375 to .188 on the square post	3/13/2019	ATM

TOLERANCE X.X.....= ± .060 X.XX.....= ± .030 X.XXX.....= ± .010 XX°.....= ± 1° UNLESS OTHERWISE NOTED	MATERIAL:	DESCRIPTION:		
	316 Stainless	End Post, Stainless Steel, 2.00 Inch Square x 0.12 Inch Wall, 42 High, Brushed Satin Finish, Grade 316, Surface Mount, Round		
	FINISH:	DATE:	REV:	 COLLABORATIVE METAL WORKS
	Satin Brushed	9/9/2019	2	
WEIGHT:	N/A	DRAWN BY:	ITEM NUMBER:	
		T. Kolbach	LG32242BESM.4	