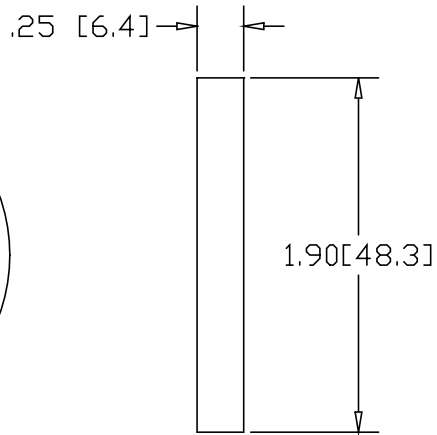
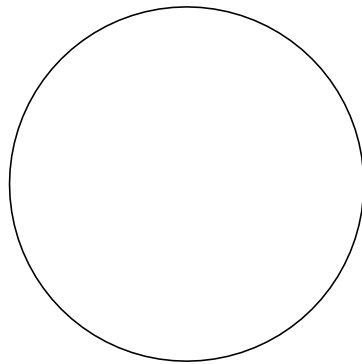
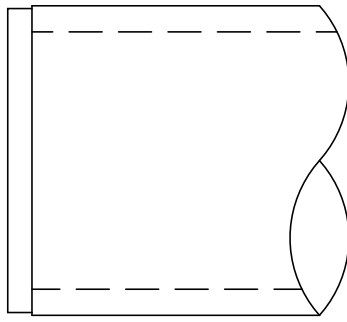
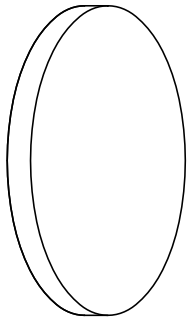



REV  
SH  
DWG NO D080

| REVISIONS |             |      |          |
|-----------|-------------|------|----------|
| REV       | DESCRIPTION | DATE | APPROVED |



INCHES [MILLIMETERS]

| ALTERNATE MATERIAL                   | PART NUMBER |
|--------------------------------------|-------------|
| .250 (3003) ALUMINUM ASTM B209       | D081        |
| .250 (304) STAINLESS STEEL ASTM A240 | D082        |
| .250 (260) BRASS ASTM B19,B36        | D083        |

|  |   |   |                  |     |
|--|---|---|------------------|-----|
| PART NAME 1-1/2" PIPE SIZE TYPE-D WELD-ON DISK |   |   |                  |     |
| MATERIAL .250 HRP&D STEEL ASTM A569            |   |   |                  |     |
| DATE 10/11/96                                  |  | <b>THE WAGNER COMPANIES</b><br>R & B WAGNER, INC. AND J. G. BRAUN CO. |                  |     |
| DRAWN BY RJF                                   |   |   |                  |     |
| FINISH MILL                                    | SIZE A  | WEIGHT .18 LBS  | PART NUMBER D080 | REV |