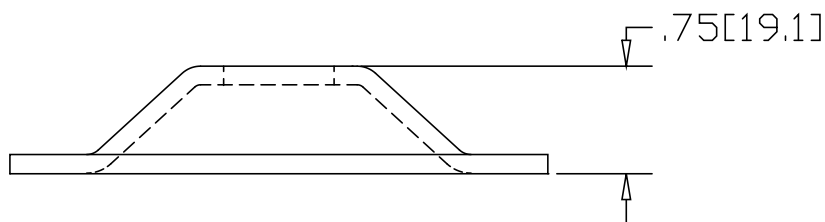
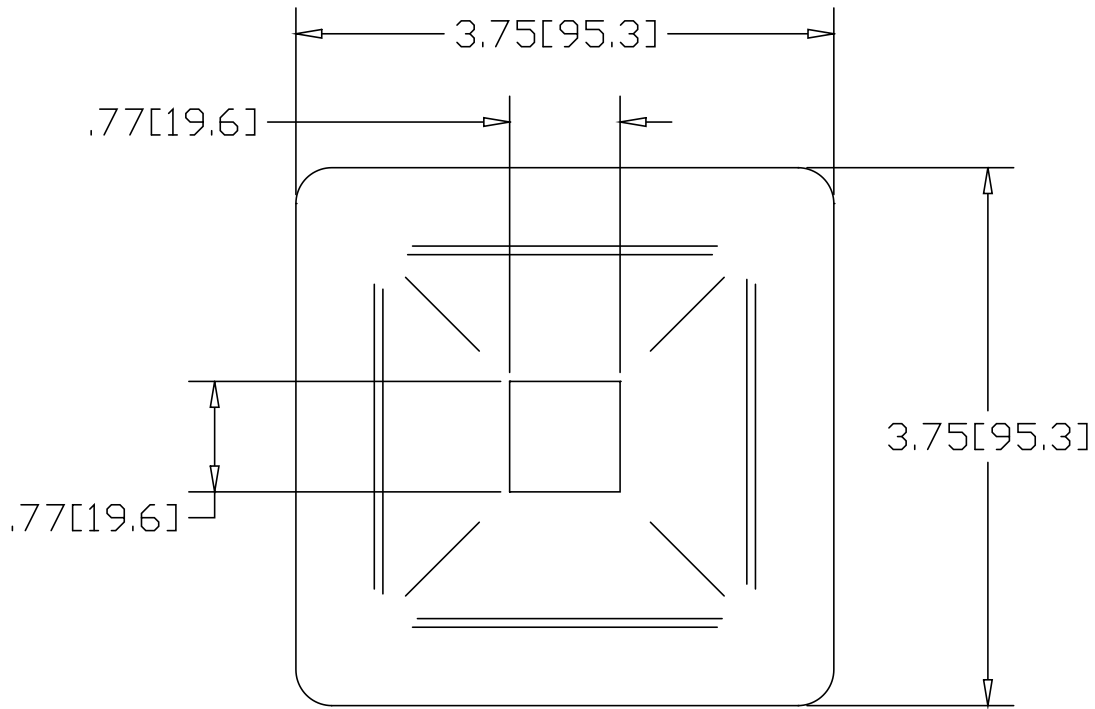



REV
SH
DWG NO 8041-3NH

REVISIONS			
REV	DESCRIPTION	DATE	APPROVED



INCHES [MILLIMETERS]

ALTERNATE MATERIAL	PART NUMBER
.125 (3003) ALUMINUM ASTM B209	8042-3NH

PART NAME		.75" SQUARE TUBE FLANGE	
MATERIAL		10 GA. HRP&D STEEL ASTM A569	
DATE	7/24/96	 R & B WAGNER, INC.	
DRAWN BY	RJF		
FINISH	MILL	SIZE	A
		WEIGHT	.53 LBS
		PART NUMBER	8041-3NH
		REV	