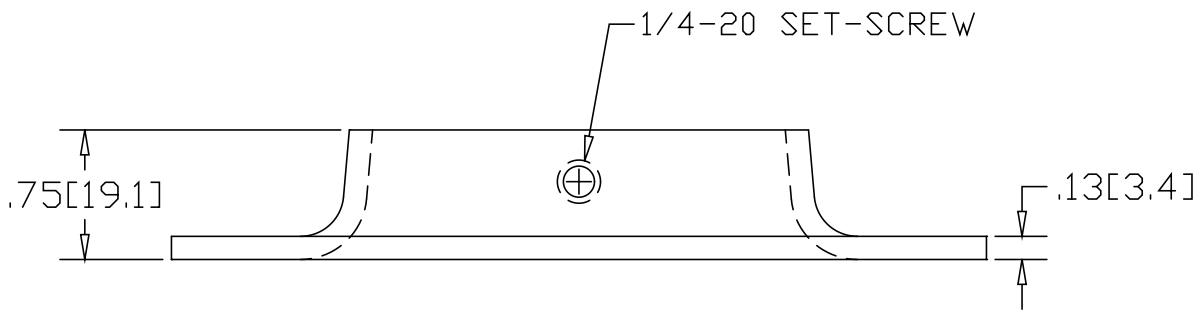
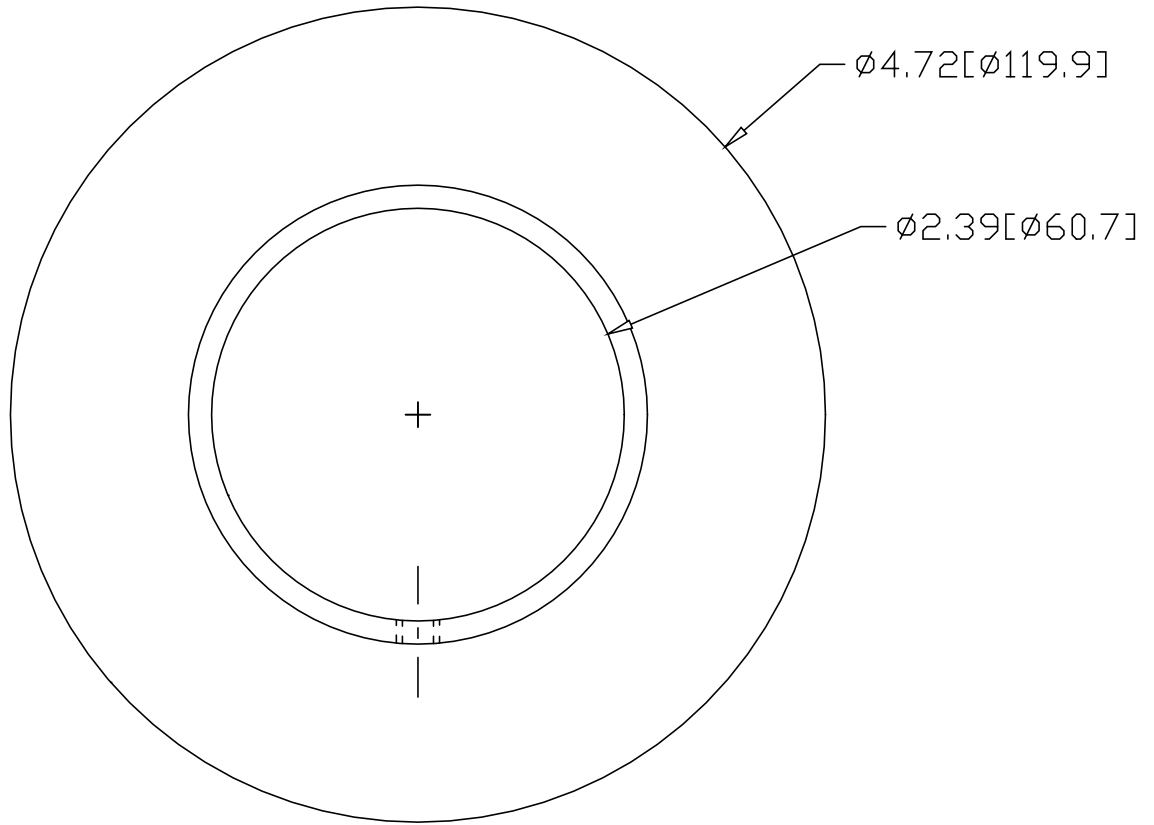



REV
SH
645
DWG NO

REVISIONS			
REV	DESCRIPTION	DATE	APPROVED



INCHES [MILLIMETERS]

ALTERNATE MATERIAL	PART NUMBER
.125 (3003) ALUMINUM ASTM B209	685
10 GA. (304) STAINLESS STEEL ASTM A240	722

PART NAME				2" FLAT BASE PIPE FLANGE WITH SET-SCREW	
MATERIAL				10 GA. HRP&D STEEL ASTM A-569	
DATE	1/8/99			R & B WAGNER, INC.	
DRAWN BY	RJF				
FINISH	MILL	SIZE	A	WEIGHT	.68 LBS
			PART NUMBER	645	REV