

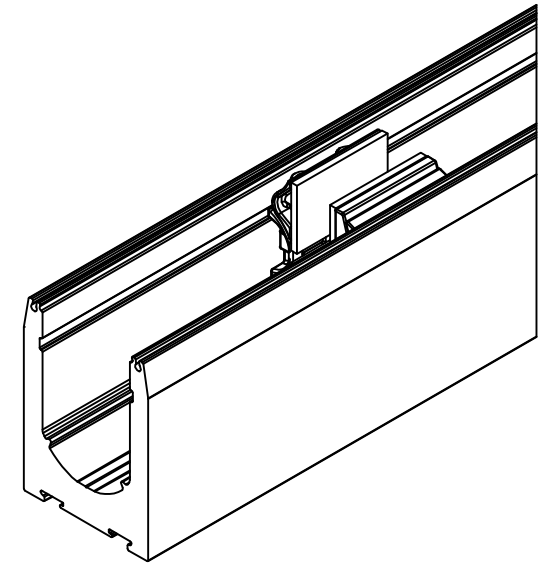
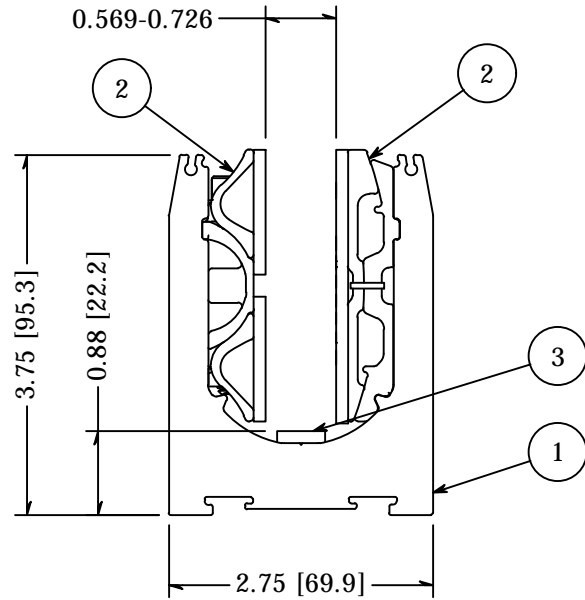
2



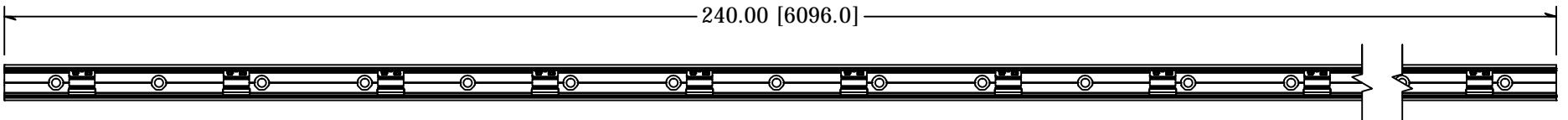
1

## PARTS LIST

ITEM	QTY	PART NUMBER	DESCRIPTION
1	1	GR2LL5075HCB8	Shoe Moulding, Aluminum, Level lock Plus, For .5 to .75 Glass, 2.75 Wide, 3.75 High, 20 Foot Lengths, Hole Counterbored, 8 in on Center, Mill Finish
2	2	LL5817	Level Lock Plus, Mechanism 10 Pack, for 5/8" Nominal Glass, .569-.726"
3	2	GR9LL1250	Shoe Isolator, Level Lock +, HDPE, 0.125 x 0.50 x 2.00, 10 pack



240.00 [6096.0]



4.00 [101.6] TYP.

8.00 [203.2] TYP.

(30) Ø0.63 THRU  
□ Ø1.13

<b>TOLERANCE</b> X.XX +/- 0.01 X.XXX +/- 0.005 Angle +/- 0.5  Unless Otherwise Specified	CUT LENGTH:	FINISH:	DESCRIPTION:	
		MILL	Level Lock Plus, Sales kit, for 5/8", 15mm - 17mm glass, 20ft shoe HCB 8" O.C., W/ Mechanisms	
	DEVELOPED LENGTH:	WEIGHT:	MATERIAL:	MATERIAL DESC:
	20FT	N/A		
TOOL NUMBER:		DATE:	REV:	10600 W Brown Deer Rd Milwaukee, WI 53224 COLLABORATIVE METALWORKS <a href="http://www.wagnercompanies.com/">http://www.wagnercompanies.com/</a>
		4/8/2021	1	
		DRAWN BY:	PART NUMBER:	
		A. Seeboth	LL5817.8KIT20	

2



1