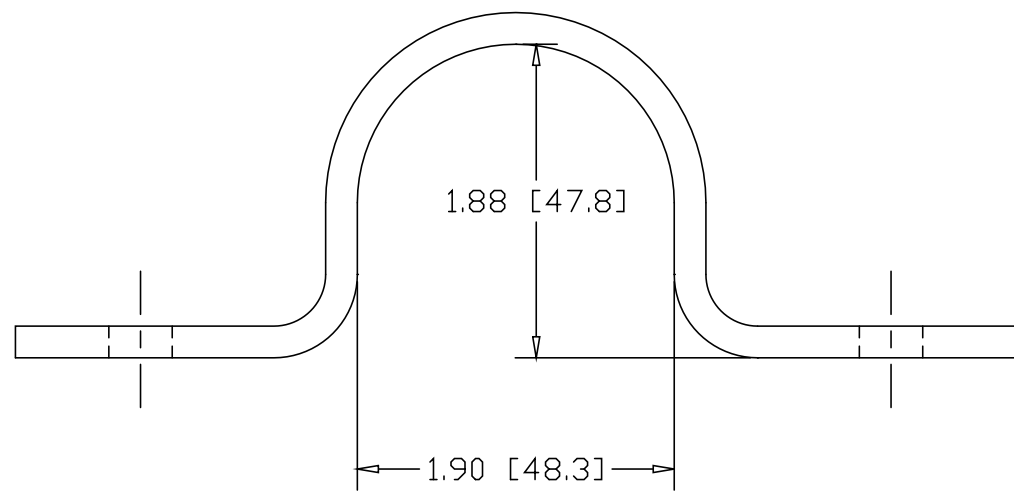
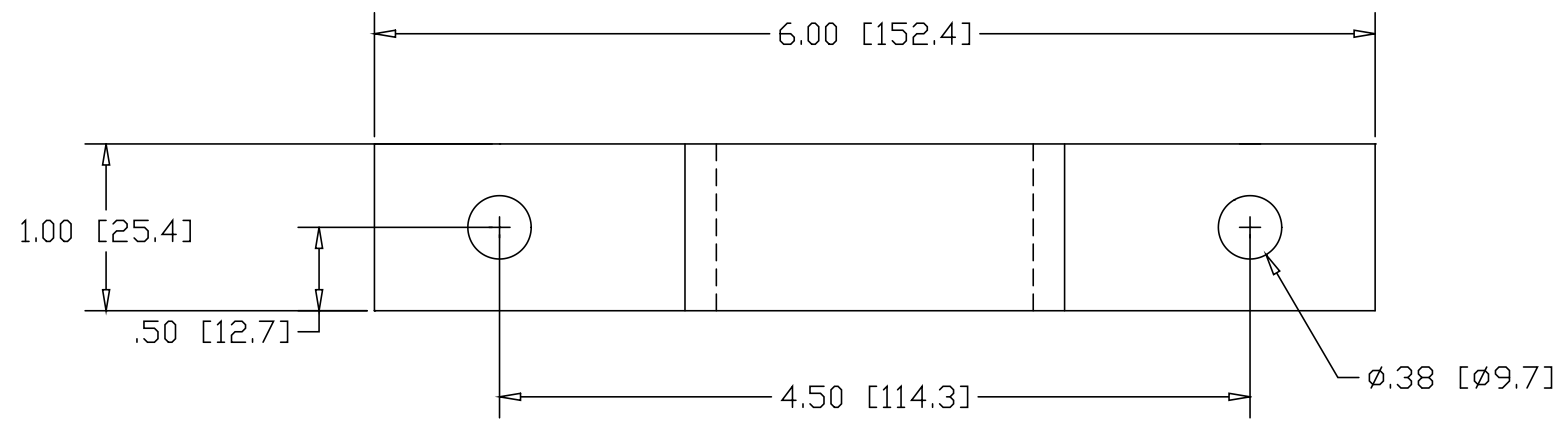



REVISIONS			
REV	DESCRIPTION	DATE	APPROVED



INCHES [MILLIMETERS]

PART NAME		TOE BOARD CLIP		
MATERIAL		.188 X 1.00 6063-T52 ALUMINUM BAR		
DATE	02/16-04		THE WAGNER COMPANIES R & B WAGNER, INC. AND J. G. BRAUN CO.	
DRAWN BY	RJF			
FINISH	MILL	SIZE	WEIGHT	PART NUMBER
		A		IR0363
				REV