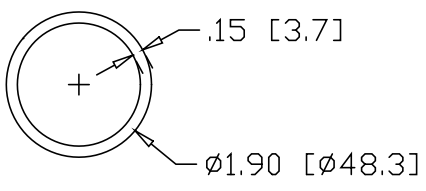
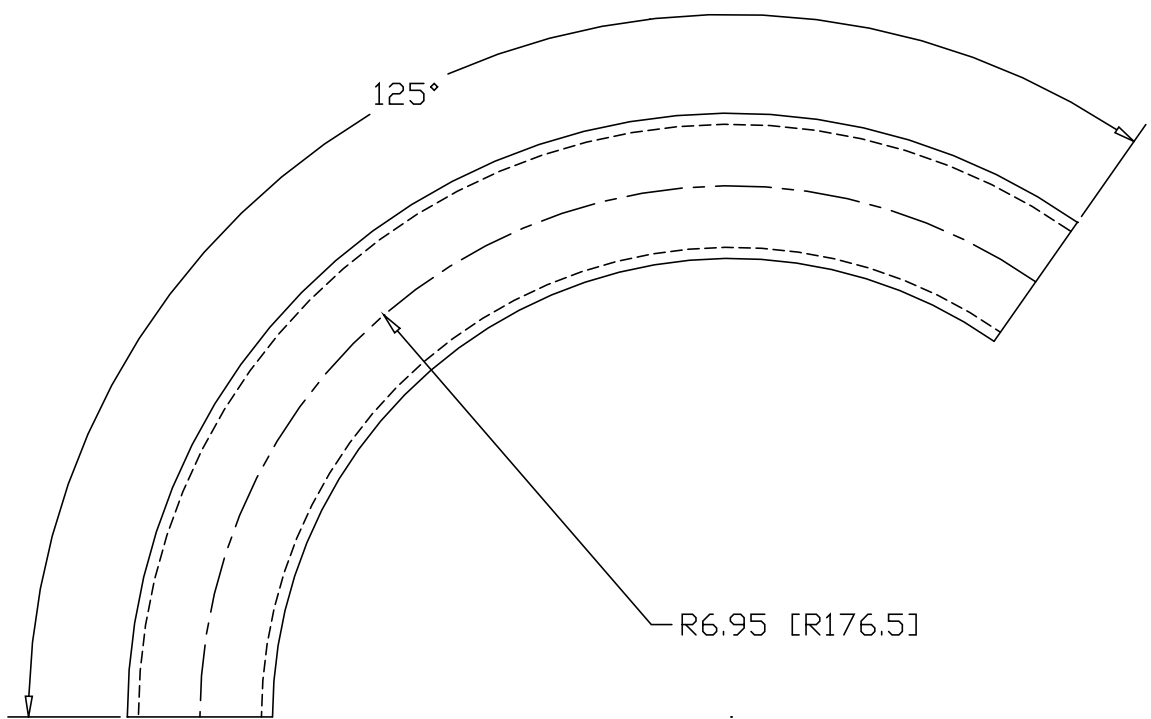



REV
SH
7530
DWG NO

| REVISIONS | | | |
|-----------|-------------|------|----------|
| REV | DESCRIPTION | DATE | APPROVED |



INCHES [MILLIMETERS]

| | | | | | | | |
|-----------|---------|---|---|-------------|------|-----|--|
| PART NAME | | 1-1/2" PIPE SIZE 125° ELL X 6" I.R. | | | | | |
| MATERIAL | | 1-1/2" SCH 40 A53 STEEL PIPE | | | | | |
| DATE | 7/05/01 |  | THE WAGNER COMPANIES R & B WAGNER, INC. AND J. G. BRAUN CO. | | | | |
| DRAWN BY | JAH | | | | | | |
| FINISH | MILL | | | | | | |
| SIZE | A | WEIGHT | 3.44 LBS | PART NUMBER | 7530 | REV | |