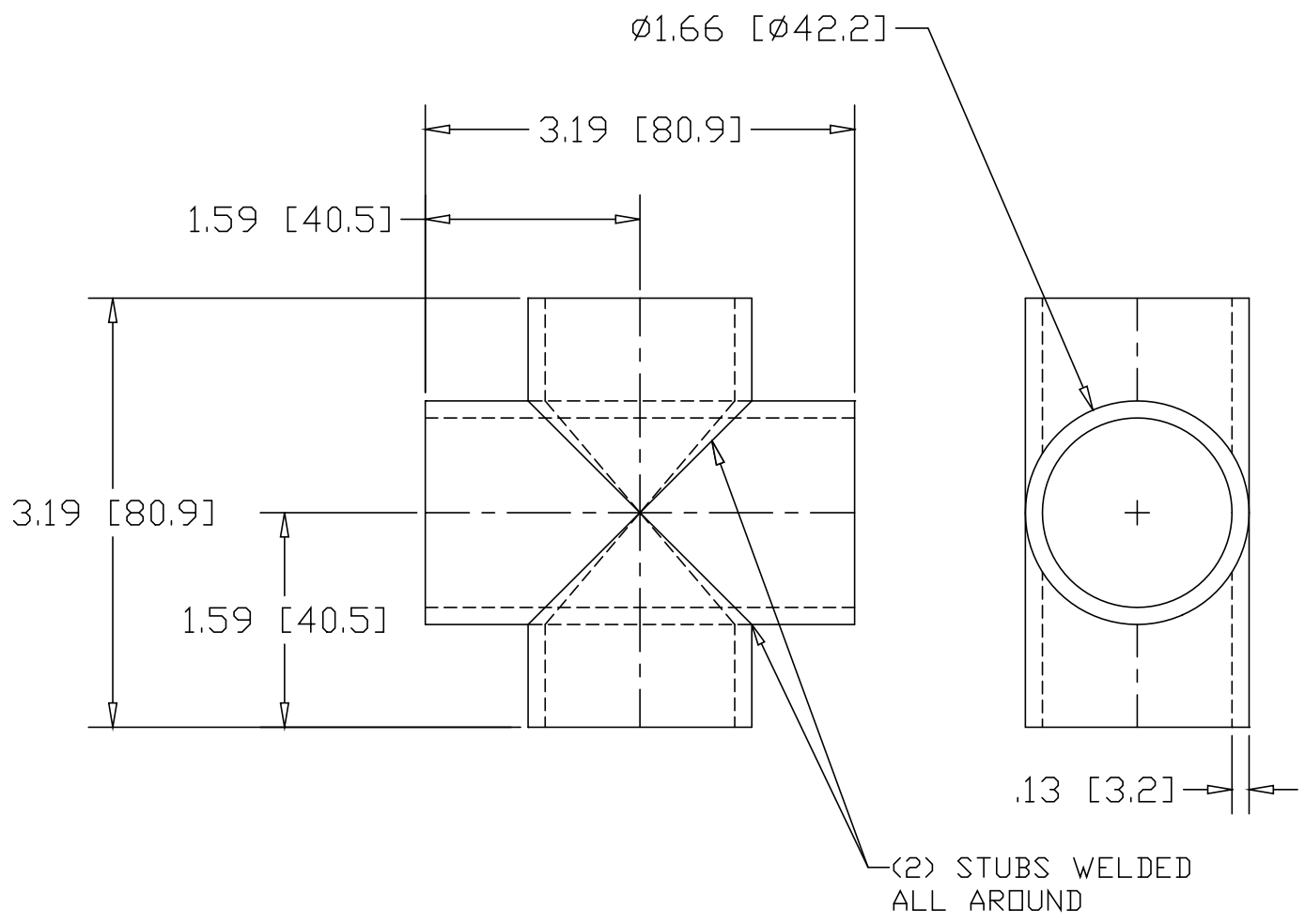



REV
SH
859
DWG NO

REVISIONS			
REV	DESCRIPTION	DATE	APPROVED



INCHES [MILLIMETERS]

PART NAME		1-1/4" S.S. CROSS		
MATERIAL		1-1/4" SCH 40 S.S. PIPE		
DATE	10/27/93	 R & B WAGNER, INC.		
DRAWN BY	RJF			
FINISH	MILL	SIZE	WEIGHT	PART NUMBER
		A	.8 lbs	859
				REV