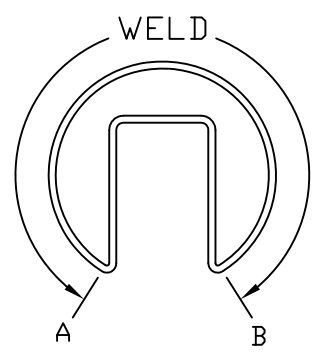
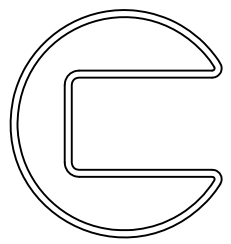
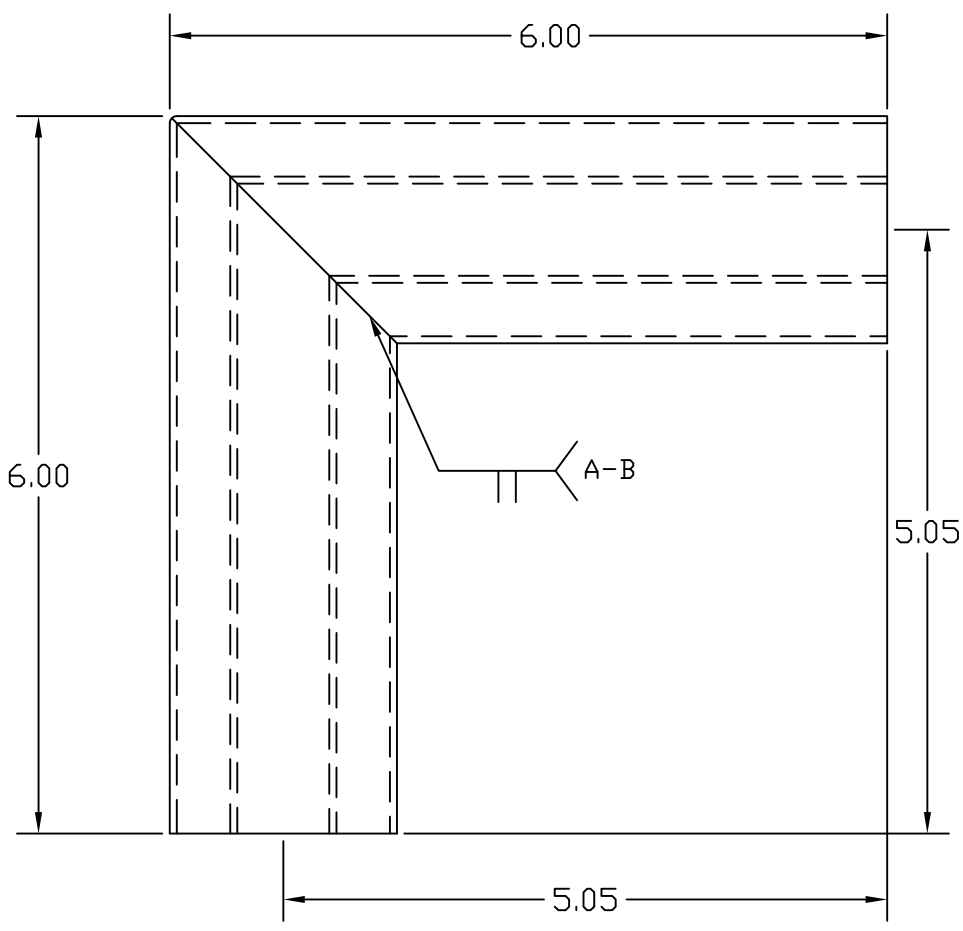



REV A
SH
DWG NO GR3190MK.4

REVISIONS			
REV	DESCRIPTION	DATE	APPROVED
A	REMOVED EPOXY STIFFENER	01/24/12	RJF



PART NAME		1.90" OD X .059W STAINLESS STEEL CAPRAIL #GR3190			
MATERIAL		90° HORIZONTAL CORNER			
DATE	04/05/06	 THE WAGNER COMPANIES R & B WAGNER, INC. AND J. G. BRAUN CO.			
DRAWN BY	RJF				
FINISH	#4 SATIN CIRCUMFERENTIAL	SIZE	WEIGHT	PART NUMBER	REV
		A		GR3190MK.4	A