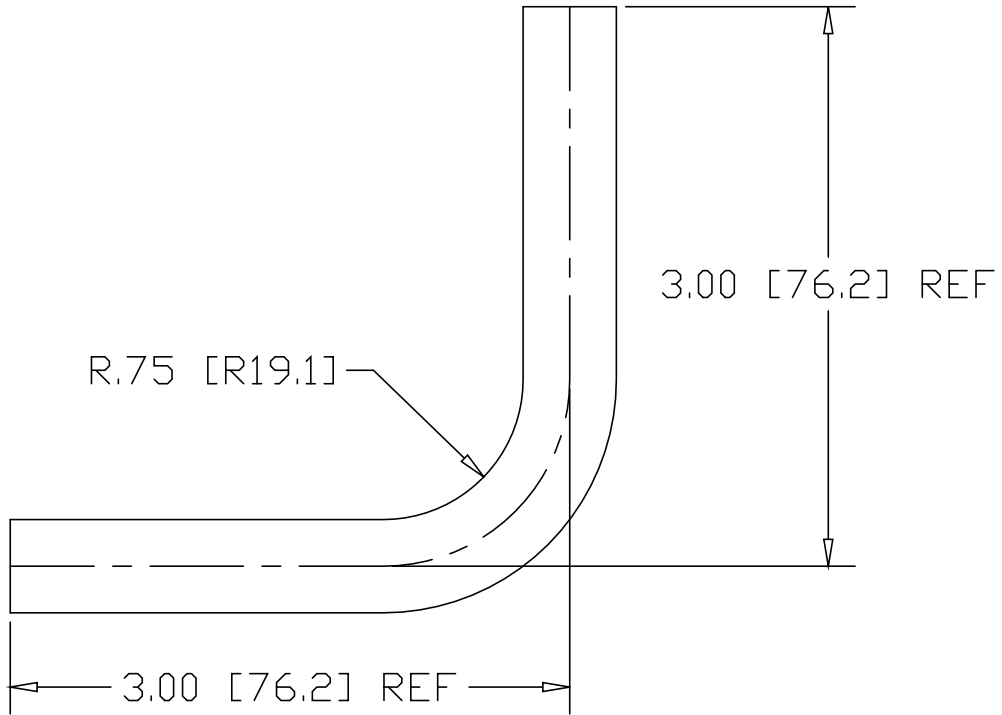
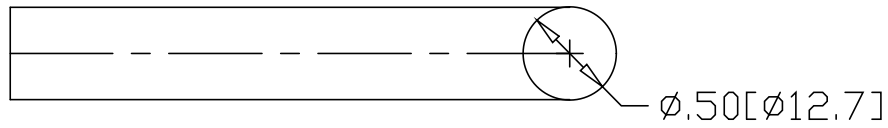


REV  
SH  
R110  
DWG NO


REVISIONS			
REV	DESCRIPTION	DATE	APPROVED



NOTE: ENDS UNTRIMMED

INCHES[MILLIMETERS]

ALTERNATE MATERIAL	PART NUMBER
1/2" $\phi$ 304 STAINLESS STEEL BAR	R120
1/2" $\phi$ 6063 ALUMINUM BAR	R240
1/2" $\phi$ 360 BRASS BAR	R130
1/2" $\phi$ 385 ARCH BRONZE BAR	R210

PART NAME		1/2" $\phi$ BAR BEND					
MATERIAL		1/2" $\phi$ COLD ROLLED STEEL BAR					
DATE	11/20/98	 <b>THE WAGNER COMPANIES</b> R & B WAGNER, INC. AND J. G. BRAUN CO.					
DRAWN BY	RJF						
FINISH	MILL						
SIZE	A	WEIGHT	.31 LBS	PART NUMBER	R110	REV	