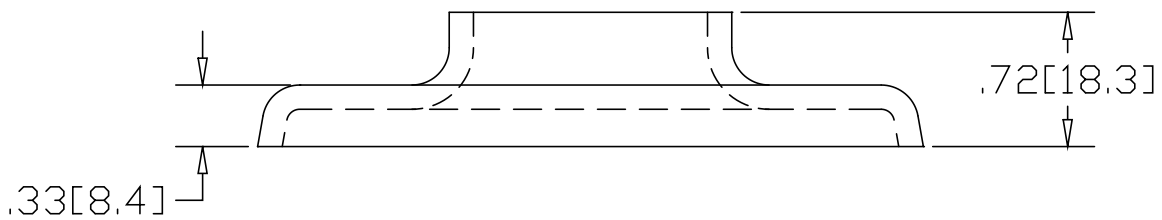
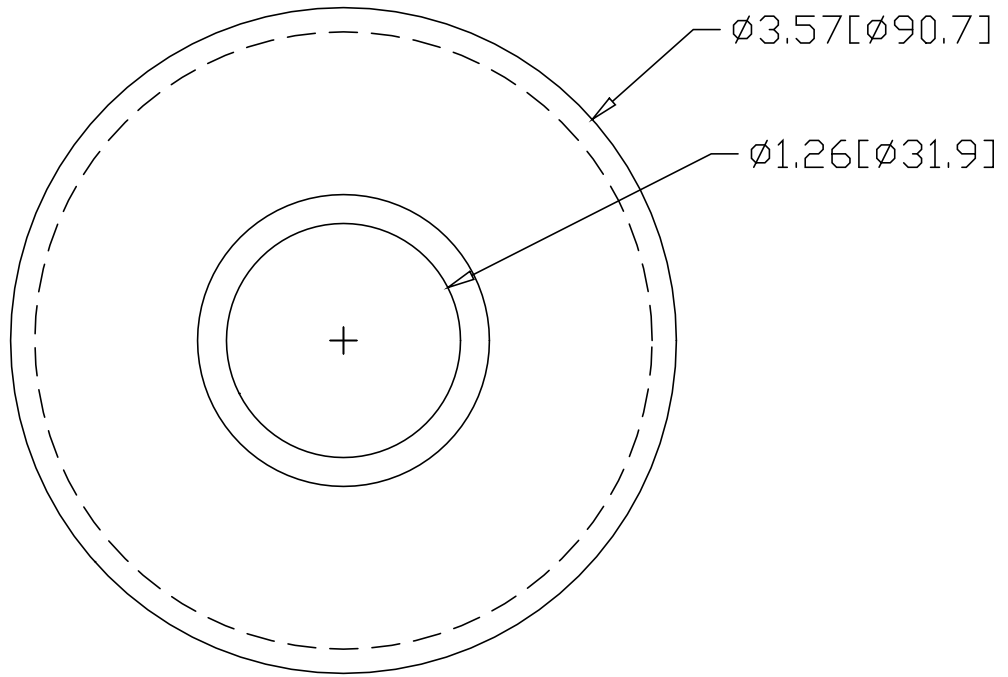



REV  
SH  
1426T  
DWG NO

REVISIONS			
REV	DESCRIPTION	DATE	APPROVED



INCHES [MILLIMETERS]

ALTERNATE MATERIAL	PART NUMBER
.125 (3003) ALUMINUM ASTM B209	1466T
10 GA. (304) STAINLESS STEEL ASTM A240	1526T
.125 (260) BRASS	BRS1426T

PART NAME				1.25" OD TUBE HEAVY BASE FLANGE			
MATERIAL				10 GA. HRP&D STEEL ASTM A569			
DATE		9/13/94		 <b>R &amp; B WAGNER, INC.</b>			
DRAWN BY		RJF					
FINISH		MILL					
SIZE	WEIGHT	PART NUMBER	REV				
A	.41 LBS	1426T					