

REV

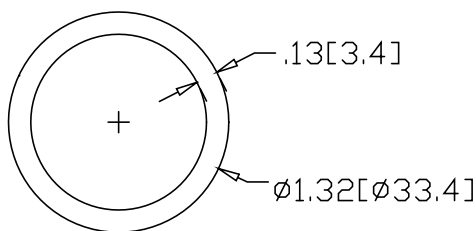
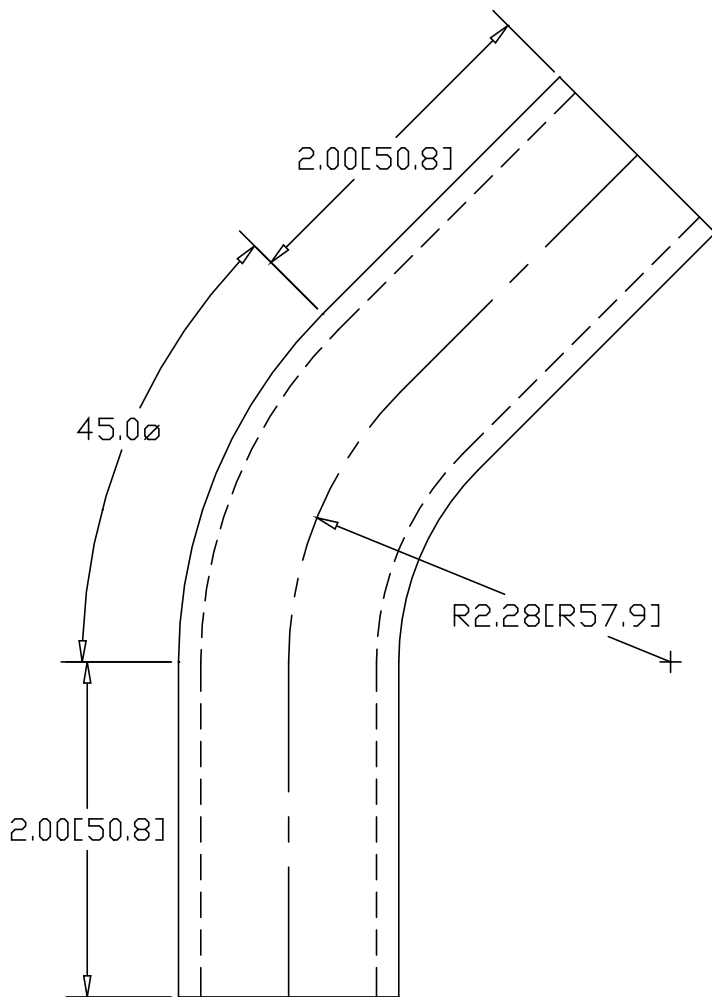
SH

DWG NO 4504

DWG NO


REVISIONS

REV	DESCRIPTION	DATE	APPROVED
-----	-------------	------	----------



INCHES [MILLIMETERS]

ALTERNATE MATERIAL	PART NUMBER
1" SCH 40 (6063) ALUMINUM PIPE	4518
1" SCH 40 (304) STAINLESS STEEL PIPE	4532

PART NAME 1" PIPE SIZE 45° ELL X 1-5/8" I.R. W/(2) 2" TANGENTS			
MATERIAL 1" SCH 40 A53 STEEL PIPE			
DATE 8/18/95	 R & B WAGNER, INC.		
DRAWN BY RJF			
FINISH MILL	SIZE A	WEIGHT .81 LBS	PART NUMBER 4504
			REV