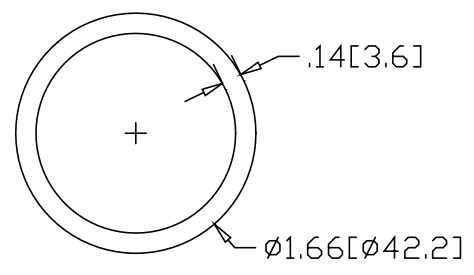
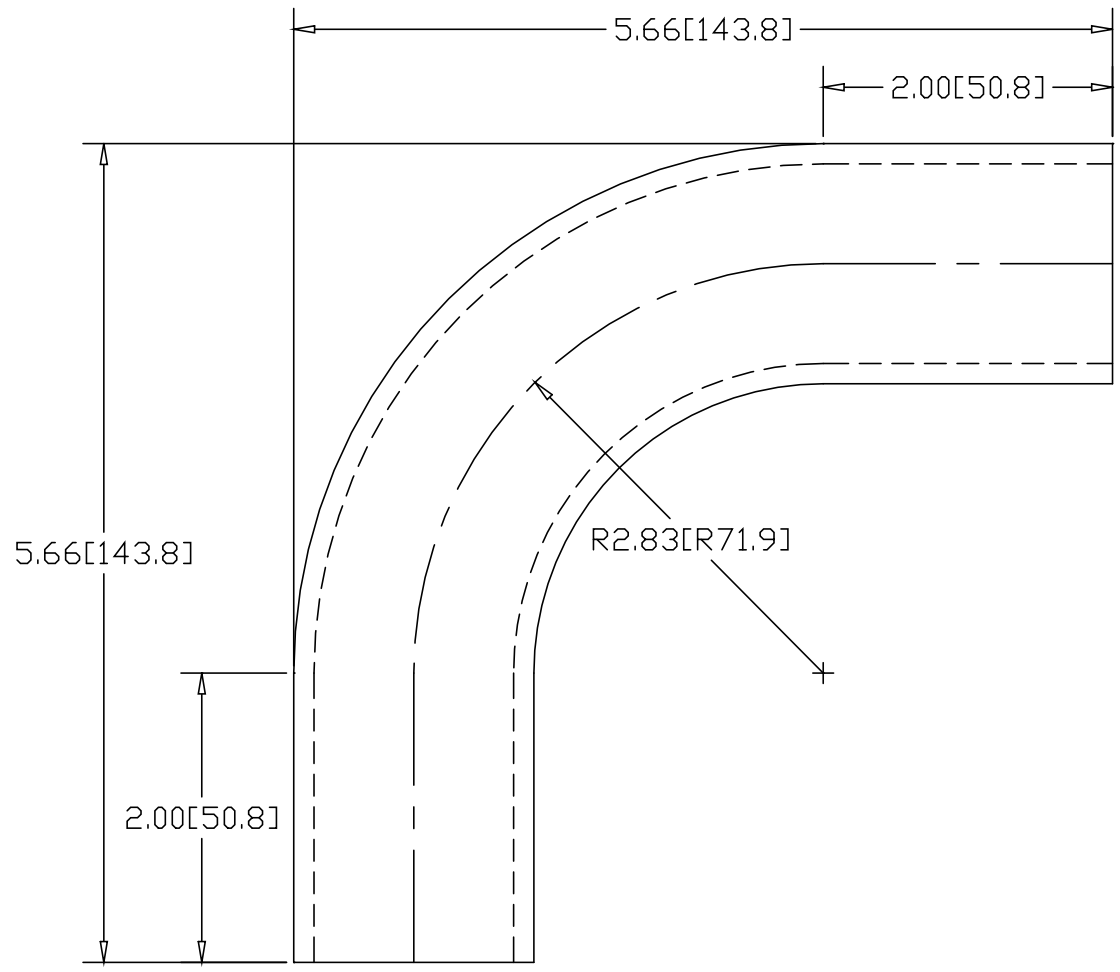



REV  
SH  
269-7  
DWG NO

REVISIONS			
REV	DESCRIPTION	DATE	APPROVED



INCHES [MILLIMETERS]

ALTERNATE MATERIAL	PART NUMBER
1-1/4" SCH 40 (6063) ALUMINUM PIPE	293-7
1-1/4" SCH 40 (304) STAINLESS STEEL PIPE	317-3

PART NAME 1-1/4" PIPE SIZE 90° ELL X 2" I.R. W/(2) 2" TANGENTS			
MATERIAL 1-1/4" SCH 40 STEEL PIPE			
DATE 8/24/95		R & B WAGNER, INC.	
DRAWN BY RJF		SIZE A	WEIGHT 1.6 LBS
FINISH MILL			REV