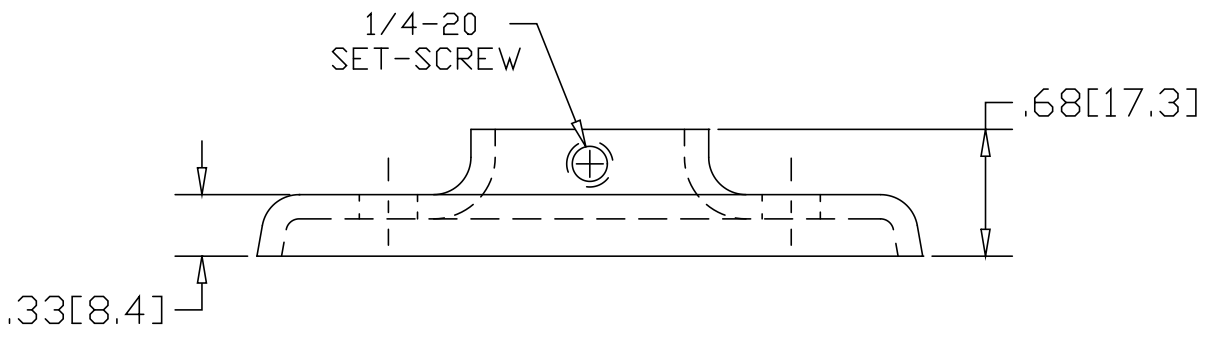
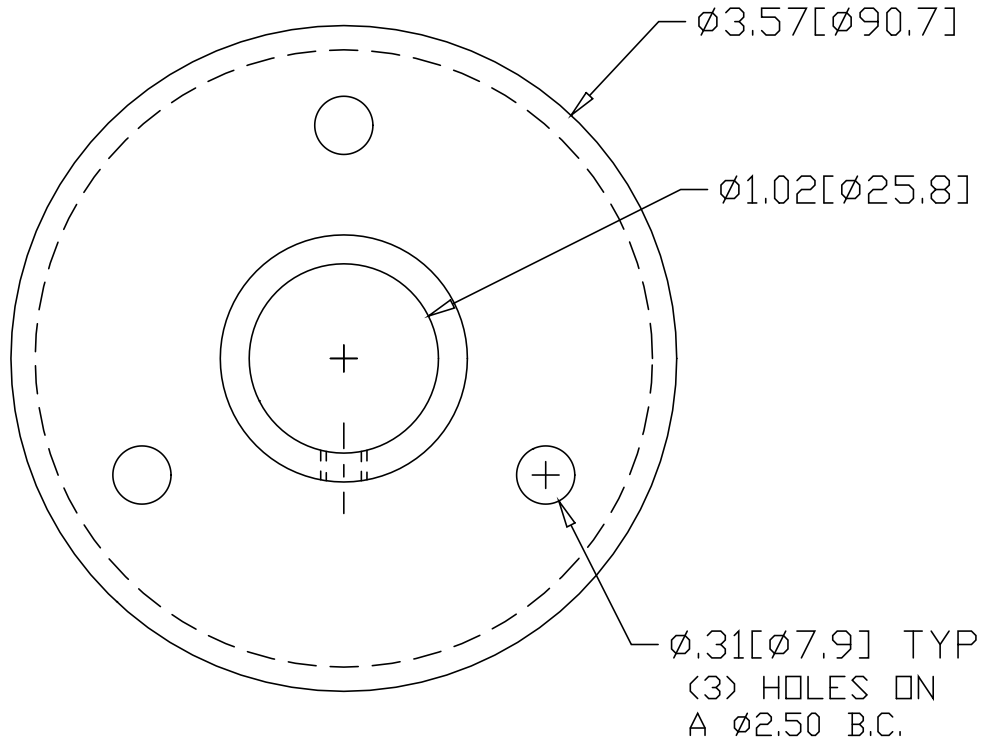


REV
SH
DWG NO 1422AT

REVISIONS			
REV	DESCRIPTION	DATE	APPROVED



INCHES [MILLIMETERS]

ALTERNATE MATERIAL	PART NUMBER
.125 (3003) ALUMINUM ASTM B209	1462AT
10 GA. (304) STAINLESS STEEL ASTM A240	1522AT

PART NAME 1" OD TUBE HEAVY BASE FLANGE W/(3) HOLES AND SET-SCREW			
MATERIAL 10 GA. HRP&D STEEL ASTM A569			
DATE 9/13/94	WAGNER	R & B WAGNER, INC.	
DRAWN BY RJF			
FINISH MILL			
SIZE A	WEIGHT .41 LBS	PART NUMBER 1422AT	REV