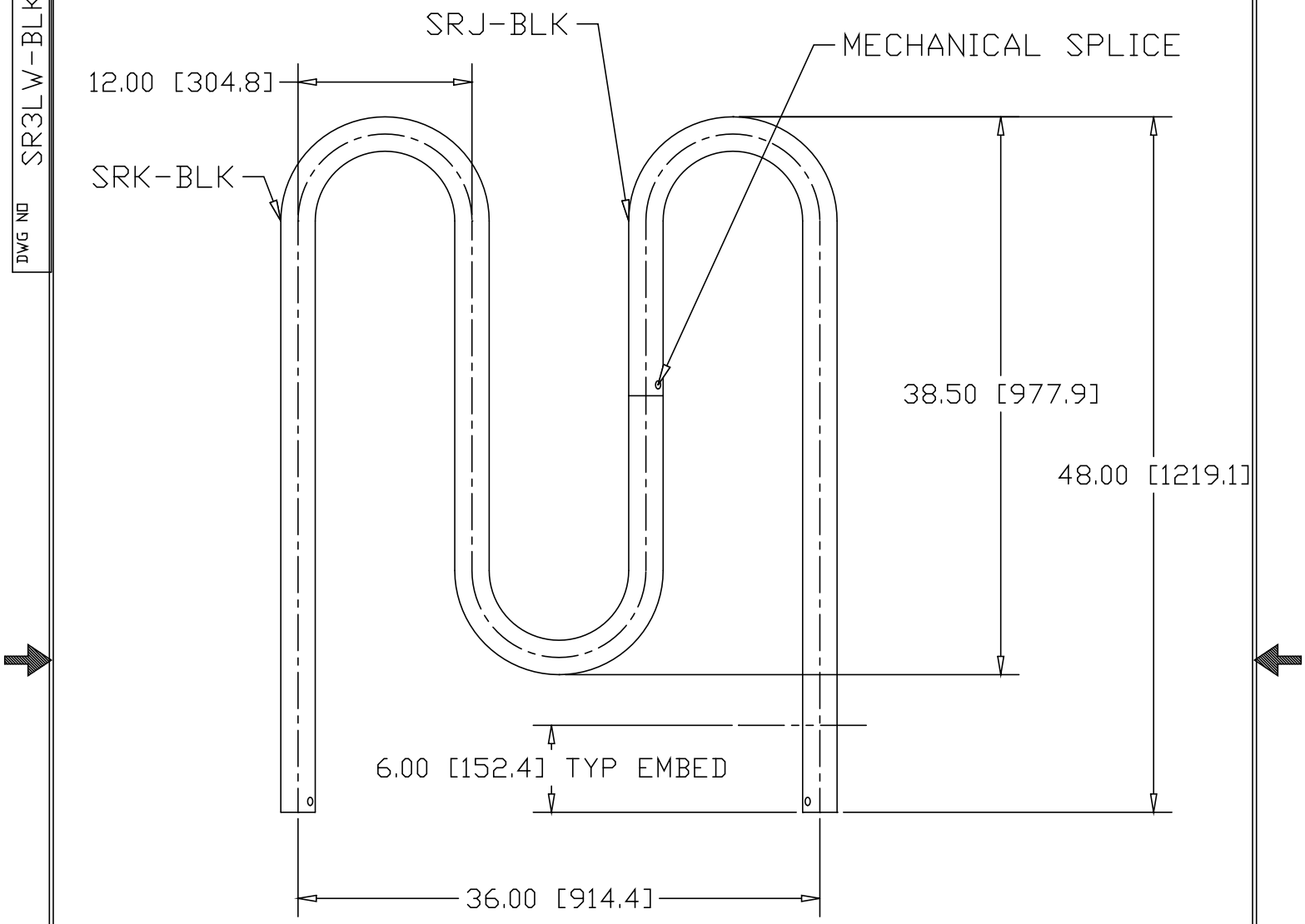



REV  
A  
SH  
SR3LW-BLK  
DWG NO

REVISIONS			
REV	DESCRIPTION	DATE	APPROVED
A	EMBED WAS 10.00, 48.00 WAS 52.00	12/18/06	RJF



INCHES [MILLIMETERS]

PART NAME		PRE-GALVANIZED BIKE RACK KIT, (3) LOOP	
MATERIAL		2.375" OD X .120W GALVANIZED STEEL TUBE	
DATE	04/21/06	 <b>THE WAGNER COMPANIES</b> R & B WAGNER, INC. AND J. G. BRAUN CO.	PART NUMBER <b>SR3LW-BLK</b>
DRAWN BY	RJF		
FINISH	POWDER COAT BLACK		
SIZE	A	WEIGHT	44.5 LBS
		REV	A