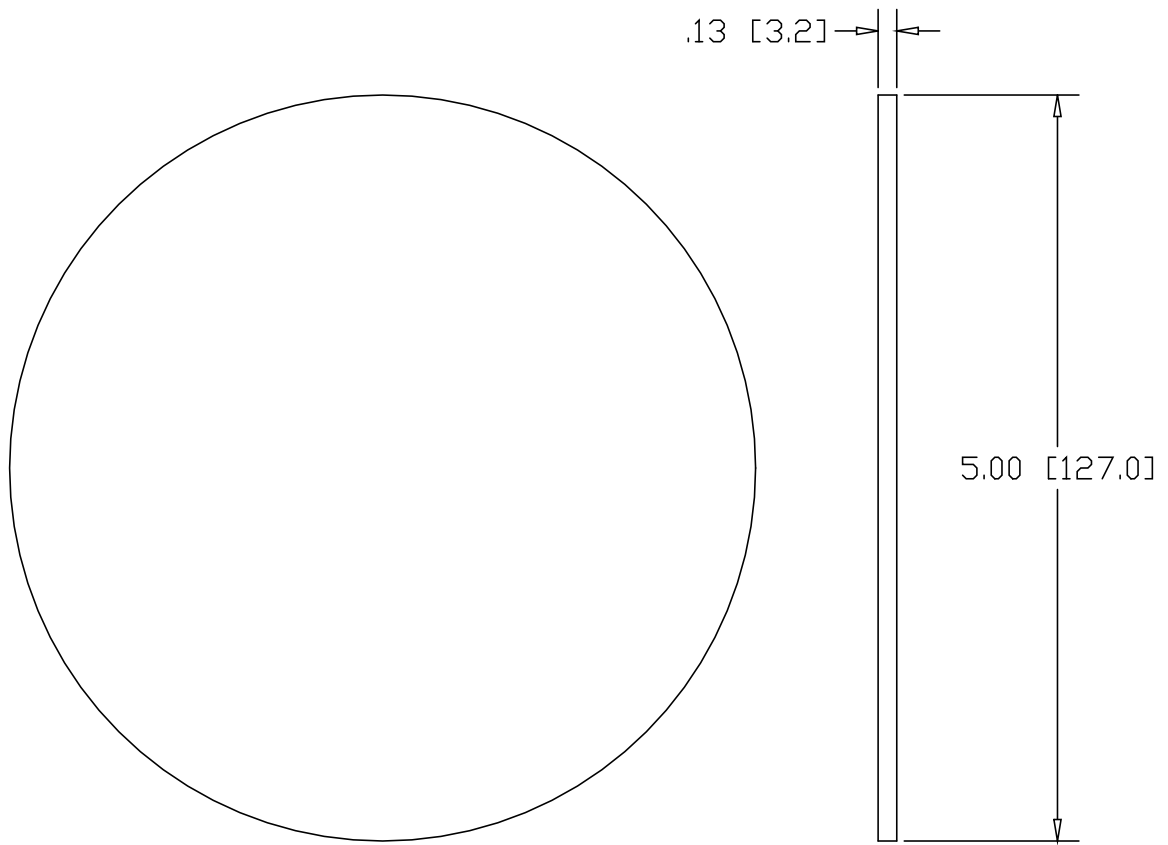



REV
SH
D285
DWG NO

REVISIONS			
REV	DESCRIPTION	DATE	APPROVED



INCHES [MILLIMETERS]

ALTERNATE MATERIAL	PART NUMBER
.125 (3003) ALUMINUM ASTM B209	D286
10 GA. (304) STAINLESS STEEL ASTM A240	D287
.125 (260) BRASS ASTM B19,B36	D288

PART NAME 5.00" OD TUBE SIZE TYPE-D WELD-ON DISK			
MATERIAL 10 GA. HRP&O STEEL ASTM A569			
DATE 11/20/98		THE WAGNER COMPANIES R & B WAGNER, INC. AND J. G. BRAUN CO.	
DRAWN BY RJF			
FINISH MILL			
SIZE A	WEIGHT .92 LBS	PART NUMBER D285	REV