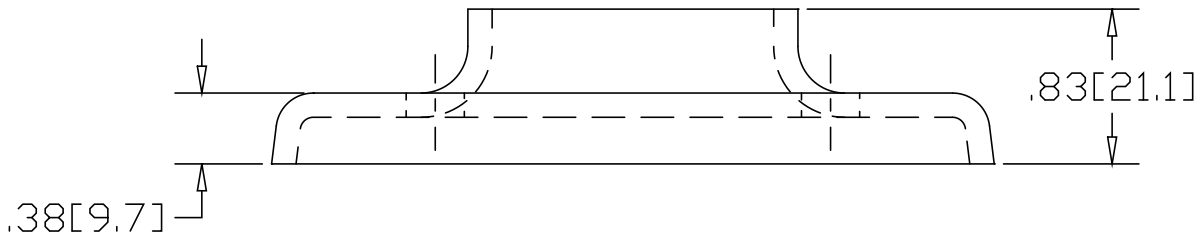
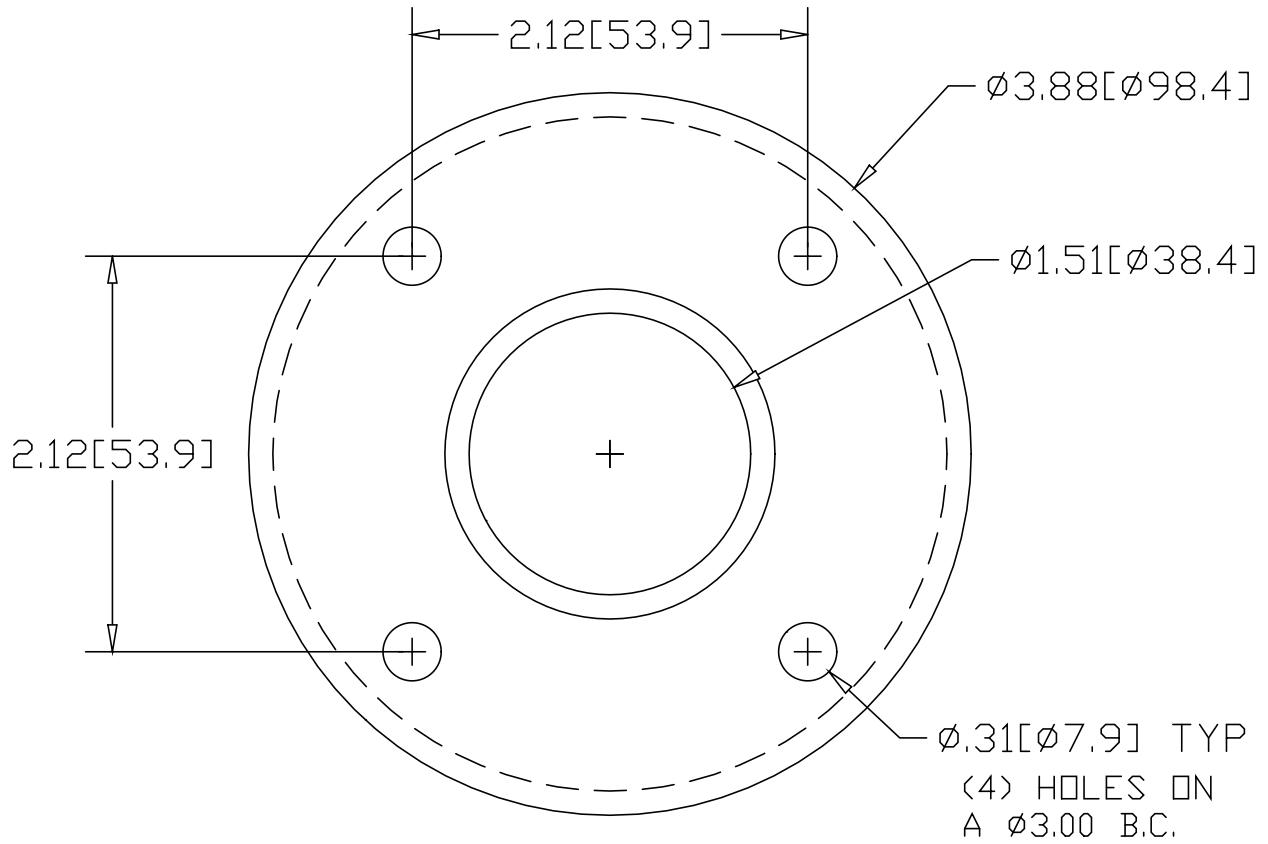


REV  
SH  
1436T  
DWG NO

REVISIONS			
REV	DESCRIPTION	DATE	APPROVED



INCHES [MILLIMETERS]

\*USE WITH ANCHOR PLATE  
#B1432 IN STEEL  
#PLB1432 ZINC PLATED STEEL  
#B1532 IN STAINLESS

ALTERNATE MATERIAL	PART NUMBER
.125 (3003) ALUMINUM ASTM B209	1476T
10 GA. (304) STAINLESS STEEL ASTM A240	1536T

PART NAME 1.50" OD TUBE HEAVY BASE FLANGE W/(4) HOLES			
MATERIAL 10 GA. HRP&O STEEL ASTM A569			
DATE 9/13/94			
DRAWN BY RJF			
FINISH MILL			
SIZE A	WEIGHT .50 LBS	PART NUMBER 1436T	REV