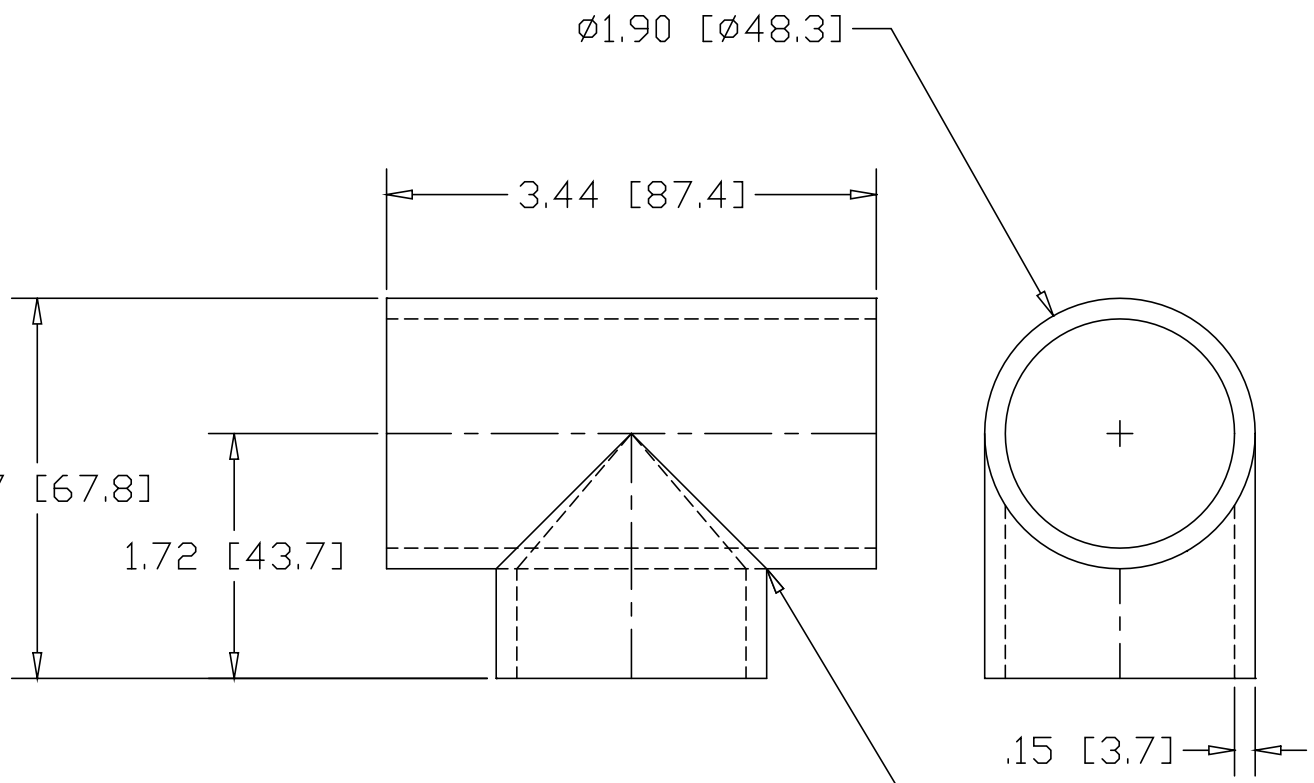



REV
SH
866
DWG NO

REVISIONS			
REV	DESCRIPTION	DATE	APPROVED



INCHES [MILLIMETERS]

PART NAME		1-1/2" ALUMINUM TEE			
MATERIAL		1-1/2" SCH 40 ALUMINUM PIPE			
DATE	10/27/93	 R & B WAGNER, INC.			
DRAWN BY	RJF				
FINISH	MILL	SIZE	WEIGHT	PART NUMBER	REV
		A	.33 lbs	866	