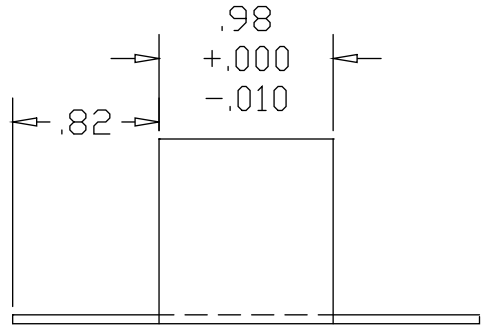
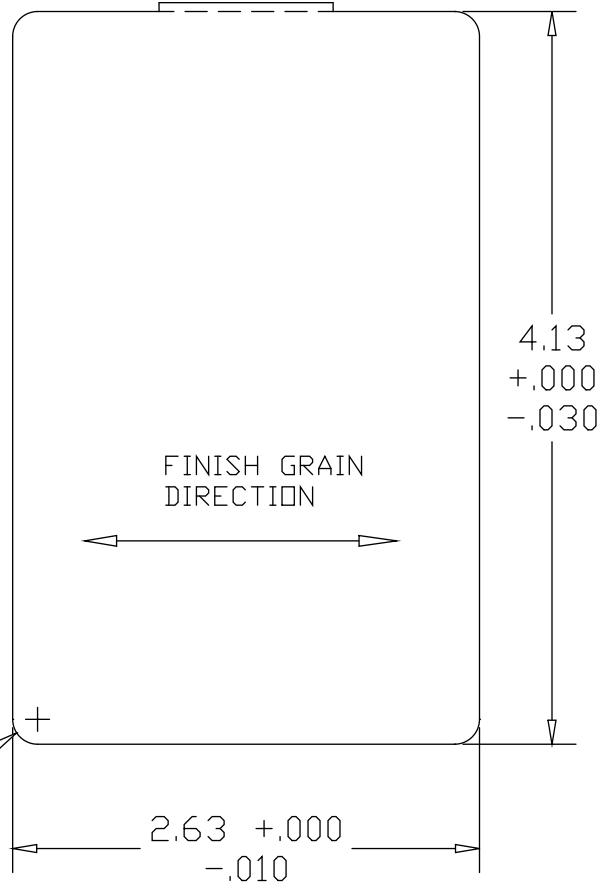
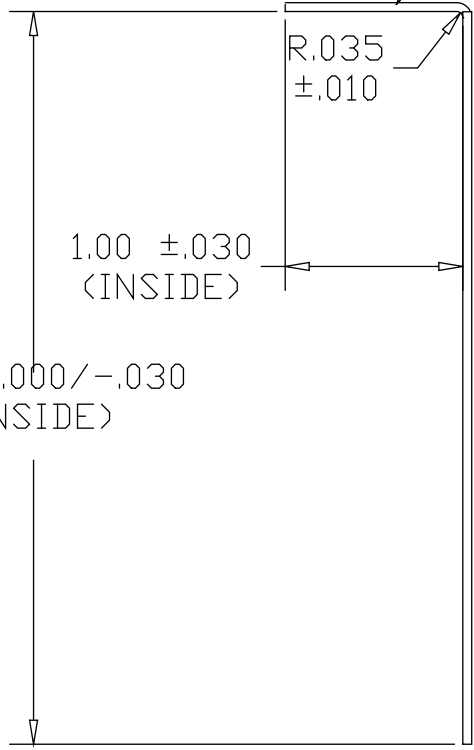


REV  
SH  
DWG NO GR2852EC.4AN


REVISIONS			
REV	DESCRIPTION	DATE	APPROVED



#4 FINISH ON OUTSIDE



R.14  
(4) PLACES

PART NAME				END CAP, SHOE MOLDING WITH CLADDING			
MATERIAL				.050" 5052-H32 ALUMINUM SHEET			
DATE		02/23/12				<b>THE WAGNER COMPANIES</b> R & B WAGNER, INC. AND J. G. BRAUN CO.	
DRAWN BY		RJF					
FINISH		SATIN CLEAR ANODIZED		SIZE		WEIGHT	
		A					
PART NUMBER				GR2852EC.4AN			
REV							

