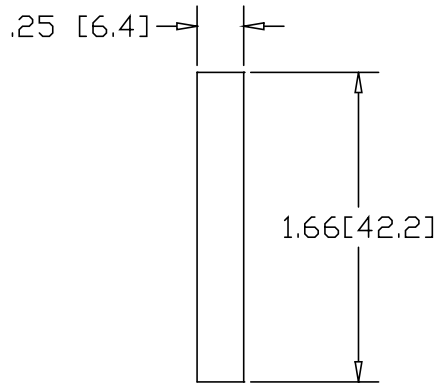
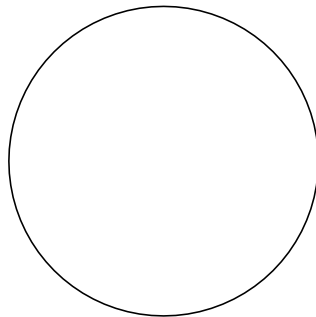
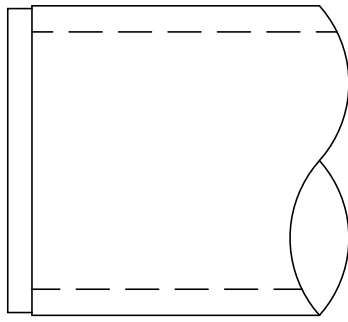
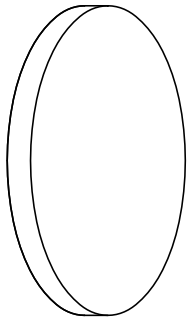



REV
SH
DWG NO D065

| REVISIONS | | | |
|-----------|-------------|------|----------|
| REV | DESCRIPTION | DATE | APPROVED |



INCHES [MILLIMETERS]

| ALTERNATE MATERIAL | PART NUMBER |
|--------------------------------------|-------------|
| .250 (3003) ALUMINUM ASTM B209 | D066 |
| .250 (304) STAINLESS STEEL ASTM A240 | D067 |
| .250 (260) BRASS ASTM B19,B36 | D068 |

| | | | | |
|--|---|---|------------------|-----|
| PART NAME 1-1/4" PIPE SIZE TYPE-D WELD-ON DISK | | | | |
| MATERIAL .250 HRP&D STEEL ASTM A569 | | | | |
| DATE 10/11/96 |  | THE WAGNER COMPANIES R & B WAGNER, INC. AND J. G. BRAUN CO. | | |
| DRAWN BY RJF | | | | |
| FINISH MILL | SIZE A | WEIGHT .16 LBS | PART NUMBER D065 | REV |