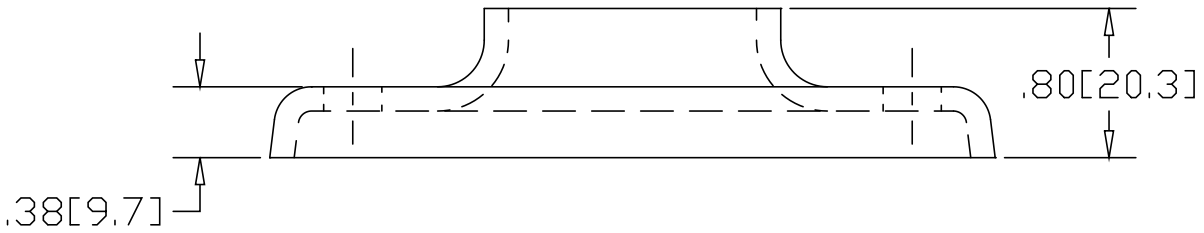
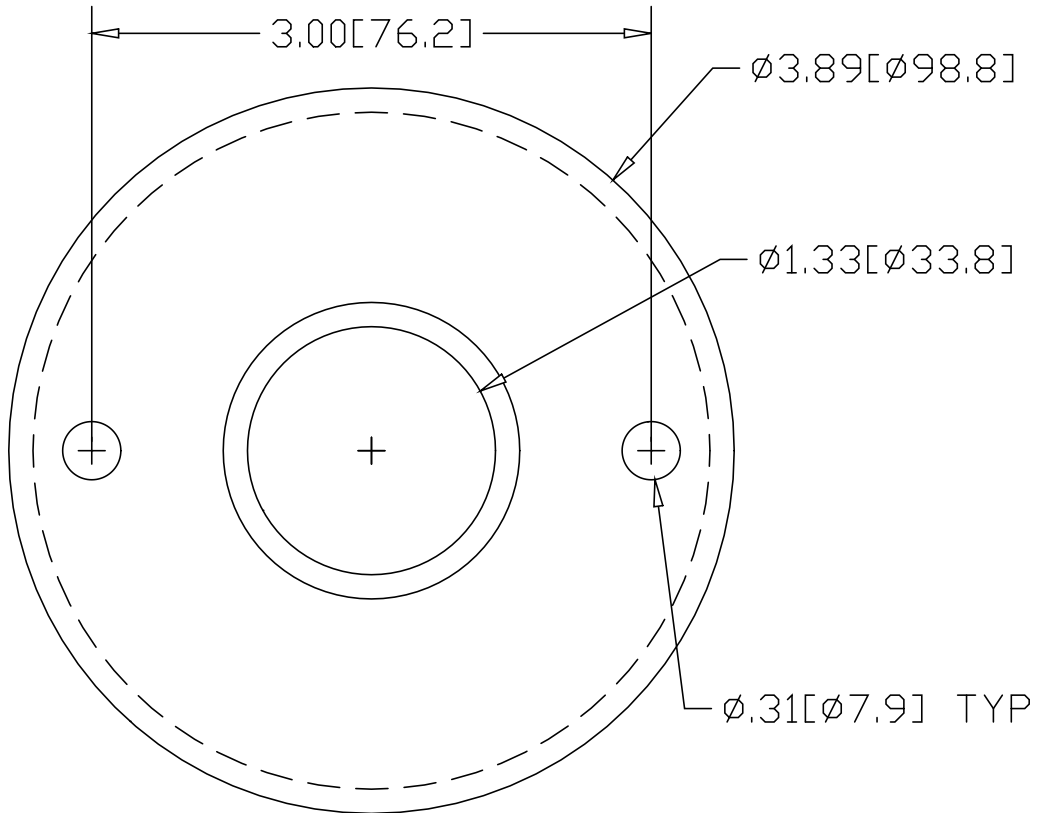


REV
SH
1419
DWG NO


REVISIONS			
REV	DESCRIPTION	DATE	APPROVED



*USE WITH ANCHOR PLATE
#B1432 IN STEEL
#PLB1432 ZINC PLATED STEEL
#B1532 IN STAINLESS STEEL

INCHES [MILLIMETERS]

ALTERNATE MATERIAL	PART NUMBER
.125 (3003) ALUMINUM ASTM B209	1459
10 GA. (304) STAINLESS STEEL ASTM A240	1519

PART NAME				1" PIPE HEAVY BASE FLANGE W/⟨2⟩ HOLES	
MATERIAL				10 GA. HRP&D STEEL ASTM A569	
DATE	9/13/94			R & B WAGNER, INC.	
DRAWN BY	RJF				
FINISH	MILL				
SIZE	A	WEIGHT	.50 LBS	PART NUMBER	1419
				REV	