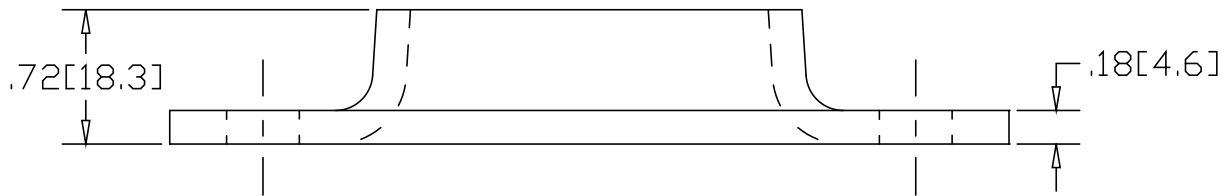
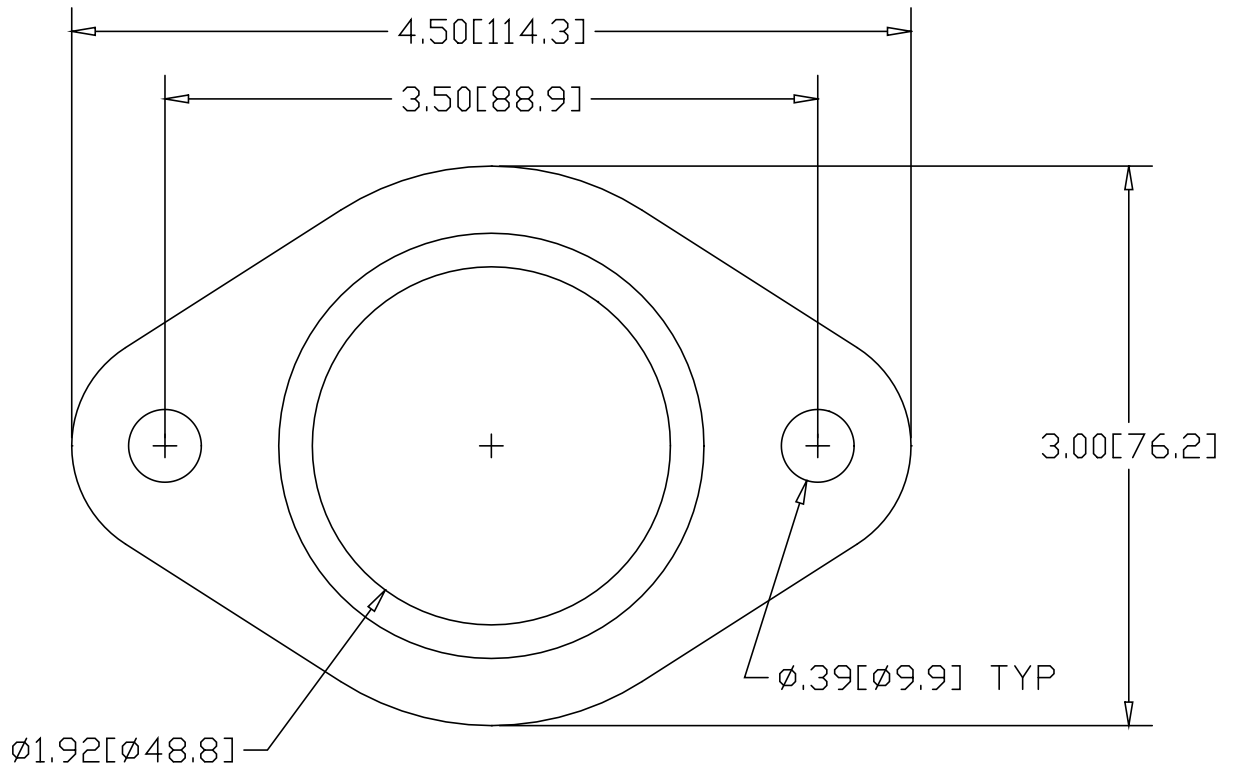



REV
SH
4816
DWG NO

| REVISIONS | | | |
|-----------|-------------|------|----------|
| REV | DESCRIPTION | DATE | APPROVED |



INCHES [MILLIMETERS]

| ALTERNATE MATERIAL | PART NUMBER |
|--|-------------|
| .190 (3003) ALUMINUM ASTM B-209 | 4846 |
| 7 GA. (304) STAINLESS STEEL ASTM A-240 | 4876 |

| | | | | |
|---|---|----------------|------------------|-----|
| PART NAME 1-1/2" PIPE SIZE TAPERED FLAT BASE FLANGE W/(2) HOLES | | | | |
| MATERIAL 7 GA. HRP&D STEEL ASTM A-569 | | | | |
| DATE 5/1/95 |  R & B WAGNER, INC. | | | |
| DRAWN BY RJF | | | | |
| FINISH MILL | SIZE A | WEIGHT .42 LBS | PART NUMBER 4816 | REV |