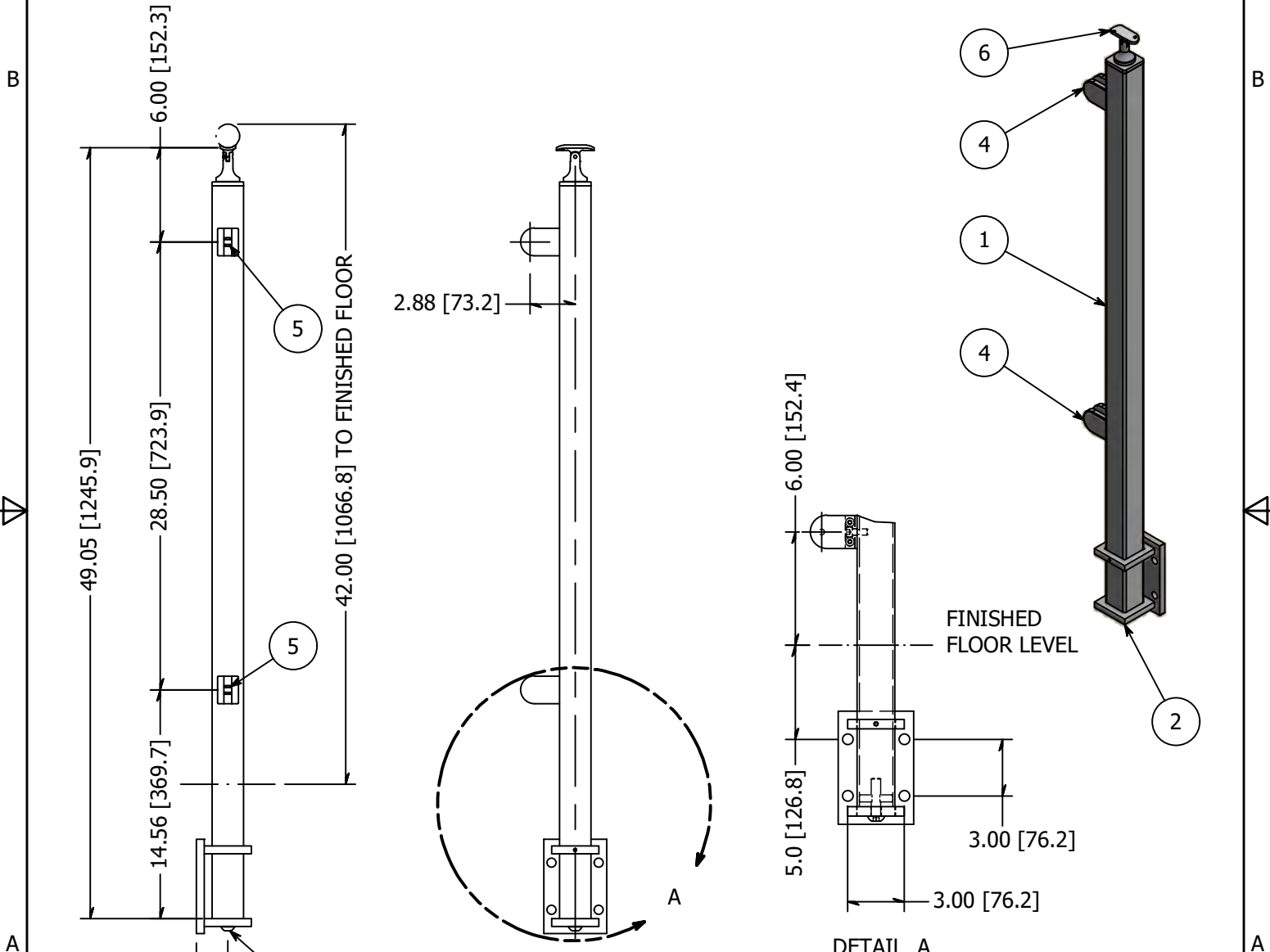



PARTS LIST

ITEM	QTY	PART NUMBER	DESCRIPTION
1	1	LG32242EFMA	End Post, Stainless Steel, 2.00 Inch Square x 0.12 Inch Wall, 42 High, Brushed Satin Finish, Grade 316, Fascia Mount, Post Assm
2	1	LG322FM	Flange, Stainless Steel, Fascia Mount For 2 Inch Square Post, Satin Brushed Finish, Type 316
3	1	BAH3N1213-0200	SCREW SS 1/2-13 X 2.00 SOCKET BUTTON HEAD CAP SCREW CW
4	2	GR310F.4-R	Clip, Stainless Steel, Panel Mounting, Flat Base, Round Type, #4 Satin Finish, Type 316
5	2	SHC3NM08C-0020	Screw, Stainless Steel, M8-1.25 x 20mm, Socket Head Cap Screw, A4-70
6	1	SS507	SADDLE, SWIVEL, CAST W/ HOLES



REVISION HISTORY			
REV	DESCRIPTION	DATE	APPROVED
2	Wall Thickness was changed from 0.25 to 0.12 and the corner radii from .375 to .188 on the square post. BAH3N1213-0200 WAS BAH3N3816-0200	3/13/2019	ATM

TOLERANCE X.X..... = ± .060 X.XX..... = ± .030 X.XXX..... = ± .010 XX°..... = ± 1° UNLESS OTHERWISE NOTED	MATERIAL:	DESCRIPTION:		
	316 Stainless	End Post, Stainless Steel, 2.00 Inch Square x 0.12 Inch Wall, 42 High, Brushed Satin Finish, Grade 316, Fascia Mount, Round		
	FINISH:	DATE:	REV:	 COLLABORATIVE METAL WORKS
	Satin Brushed	9/9/2019	2	
WEIGHT:	DRAWN BY:		ITEM NUMBER:	
N/A	T. Kolbach		LG32242BEFM.4	