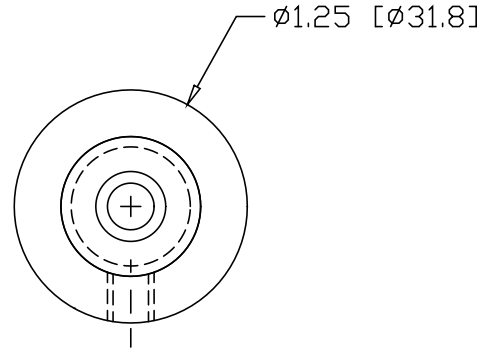
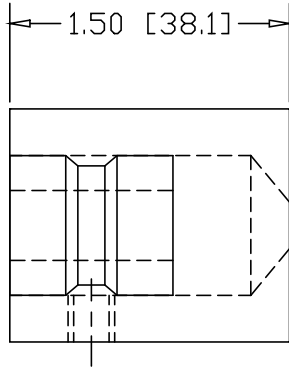
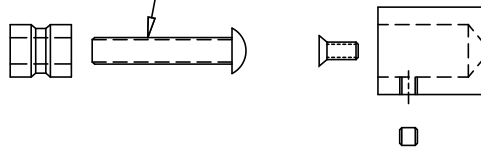


REV
SH
VA150
DWG NO

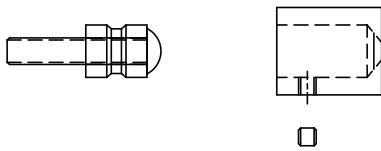
REVISIONS			
REV	DESCRIPTION	DATE	APPROVED



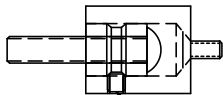
MOUNT SPOOL TO WALL
USING 3/8" ROUND HEAD SCREW
(NOT INCLUDED)




MOUNT HUB TO HANDRAIL
USING 1/4" FLAT HEAD SCREW
(NOT INCLUDED)



MOUNT HUB TO SPOOL
USING SET-SCREW
INCLUDED



PART NAME				VERTICAL MOUNT BRACKET WITH SPOOL AND SET-SCREW			
MATERIAL				(6063) ALUMINUM			
DATE		9/17/03				THE WAGNER COMPANIES R & B WAGNER, INC. AND J. G. BRAUN CO.	
DRAWN BY		RJF					
FINISH		#4 SATIN		SIZE	WEIGHT	PART NUMBER	REV
				A		VA150	