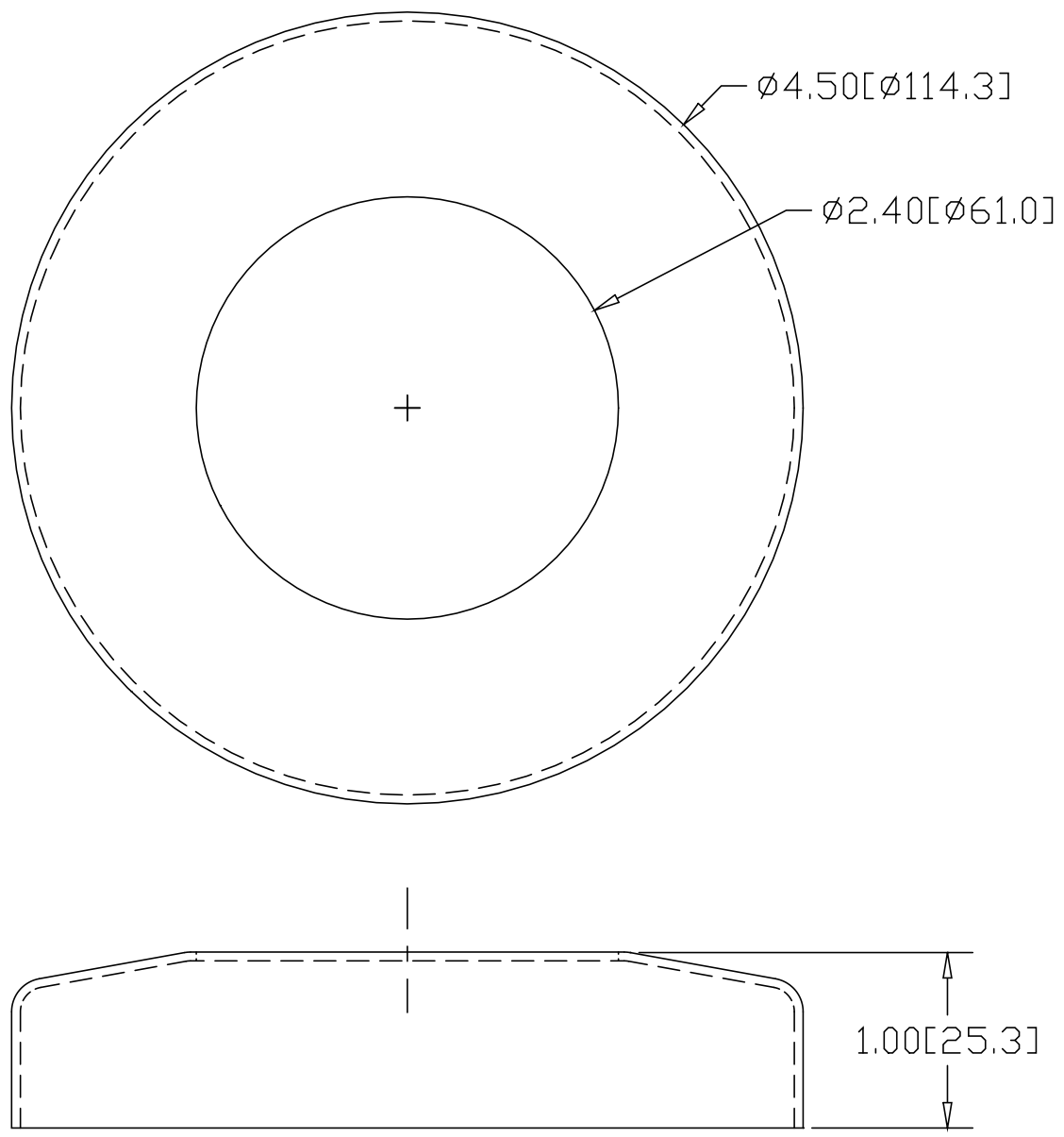


REV  
SH  
2085  
DWG NO


REVISIONS			
REV	DESCRIPTION	DATE	APPROVED



INCHES [MILLIMETERS]

\* USE WITH BASE  
 #2085B IN STEEL  
 #2086B IN ALUMINUM  
 #2087B IN STAINLESS  
 #2088B IN BRASS

ALTERNATE MATERIAL	PART NUMBER
.063 (3003) ALUMINUM ASTM B209	2086
18 GA. (304) STAINLESS STEEL A240	2087
.050 (280) MUNTZ METAL	2088

PART NAME				2" PIPE SNAP COVER			
MATERIAL				18 GA. CR STEEL ASTM A366			
DATE		4/3/97				R & B WAGNER, INC.	
DRAWN BY		RJF					
FINISH		MILL		SIZE	WEIGHT	PART NUMBER	REV
				A	.29 LBS	2085	