

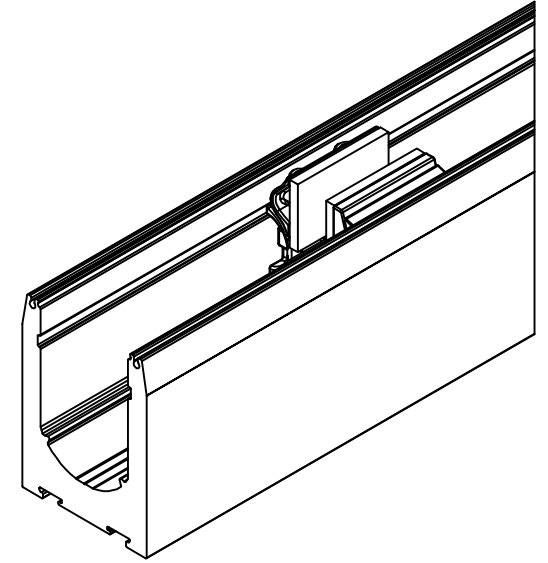
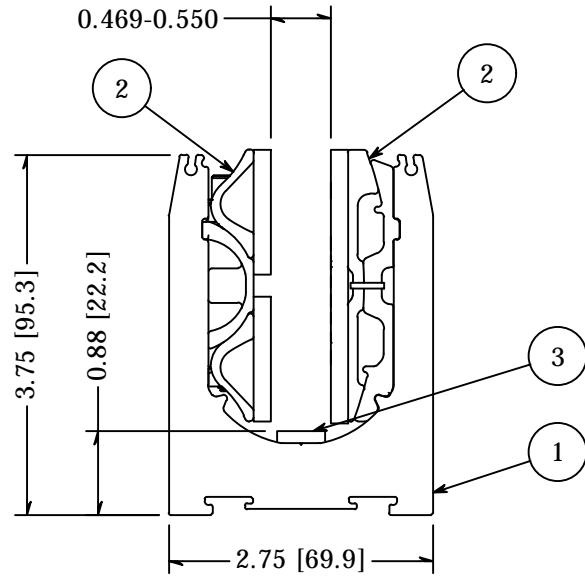
2



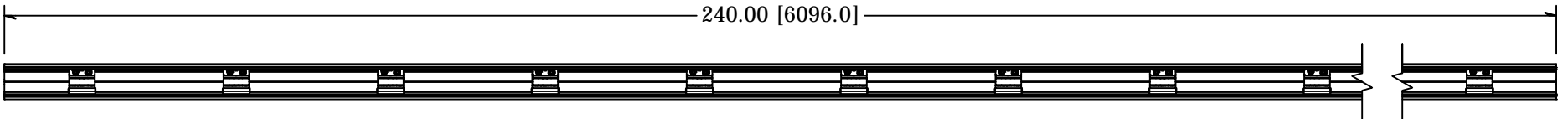
1

PARTS LIST

ITEM	QTY	PART NUMBER	DESCRIPTION
1	1	GR2LL5075HCB	Shoe Moulding, Aluminum, Level lock Plus, For .5 to .75 Glass, 2.75 Wide, 3.75 High, 20 Foot Lengths, Hole Counterbored, 12 in on Center, Mill Finish
2	2	LL1213	Level Lock Plus, Mechanism 10 Pack, for 1/2" Nominal Glass, .469-.550"
3	2	GR9LL1250	Shoe Isolator, Level Lock +, HDPE, 0.125 x 0.50 x 2.00, 10 pack



240.00 [6096.0]



6.00 [152.4]

12.00 [304.8]

(20) Ø0.63 THRU
□ Ø1.13

TOLERANCE X.XX +/- 0.01 X.XXX +/- 0.005 Angle +/- 0.5 Unless Otherwise Specified	CUT LENGTH:	FINISH:	DESCRIPTION:	
		MILL	Level Lock Plus, Sales kit, for 1/2"-9/16", 13mm glass, 20ft shoe HCB, W/ Mechanisms	
	DEVELOPED LENGTH:	WEIGHT:	MATERIAL:	MATERIAL DESC:
	20FT	N/A	DATE: 4/7/2021	REV: 1
TOOL NUMBER:			DRAWN BY: A. Seeboth	10600 W Brown Deer Rd Milwaukee, WI 53224 COLLABORATIVE METALWORKS http://www.wagnercompanies.com/
			PART NUMBER: LL1213KIT20	

2



1